

# Cisco UCS Virtual Interface Card 1387

---

# Contents

Cisco Unified Computing System Overview	3
Product overview	3
Features and benefits	4
Next-Generation Data Center features	6
Product specifications	9
System requirements	11
Warranty information	11
Product sustainability	12
Cisco unified computing services	12
Why Cisco?	12
Cisco Capital	13
For more information	13
Document history	14

## Cisco Unified Computing System Overview

The Cisco Unified Computing System™ (Cisco UCS®) is a next-generation data center platform that unites computing, networking, storage access, and virtualization resources in a cohesive system designed to reduce Total Cost of Ownership (TCO) and increase business agility. The system integrates a low-latency, lossless 10 or 40 Gigabit Ethernet unified network fabric with enterprise-class blade and rack x86-architecture servers. The system is an integrated, scalable, multichassis platform in which all resources participate in a unified management domain.

### Product overview

The Cisco UCS Virtual Interface Card (VIC) 1387 (Figure 1) is a Cisco® innovation. It provides a policy-based, stateless, agile server infrastructure for your data center. This dual-port Enhanced Quad Small Form-Factor Pluggable (QSFP) half-height PCI Express (PCIe) modular LAN-On-Motherboard (mLOM) adapter is designed exclusively for Cisco UCS C-Series and C3160 Rack Servers. The card supports 40 Gigabit Ethernet and Fibre Channel over Ethernet (FCoE). It incorporates Cisco's next-generation Converged Network Adapter (CNA) technology and offers a comprehensive feature set, providing investment protection for future feature software releases. The card can present more than 256 PCIe standards-compliant interfaces to the host, and these can be dynamically configured as either Network Interface Cards (NICs) or Host Bus Adapters (HBAs). In addition, the VIC supports Cisco Data Center Virtual Machine Fabric Extender (VM-FEX) technology. This technology extends the Cisco UCS fabric interconnect ports to virtual machines, simplifying server virtualization deployment.

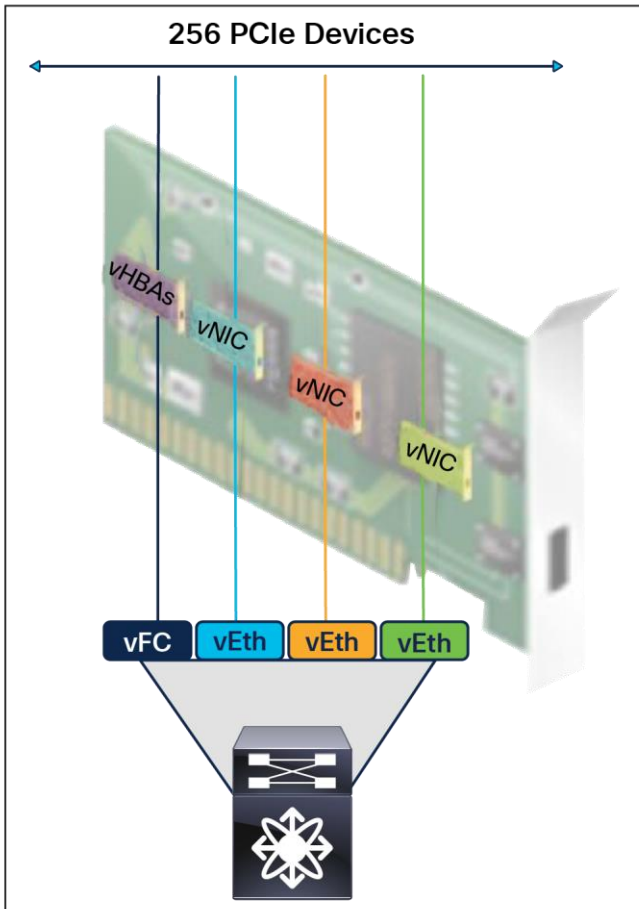


**Figure 1.**  
Cisco UCS VIC 1387

## Features and benefits

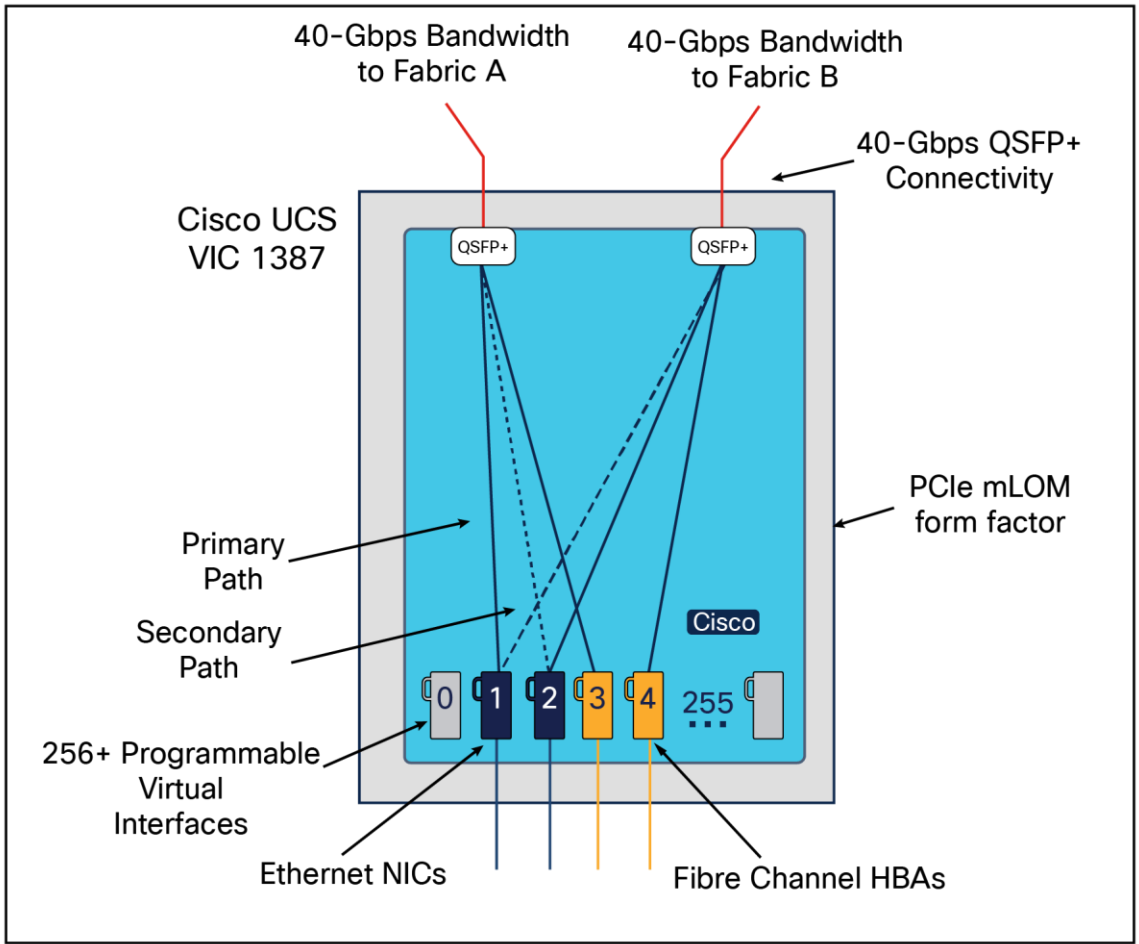
The Cisco UCS VIC 1387 provides the following features and benefits:

- Stateless and agile platform: The personality of the card is determined dynamically at boot time using the service profile associated with the server. The number, type (NIC or HBA), identity (MAC address and World Wide Name [WWN]), failover policy, bandwidth, and Quality-of-Service (QoS) policies of the PCIe interfaces are all determined using the service profile. The capability to define, create, and use interfaces on demand provides a stateless and agile server infrastructure (Figure 2).



**Figure 2.**  
Virtual Device Support on the Cisco UCS VIC 1387

- Network interface virtualization: Each PCIe interface created on the VIC is associated with an interface on the Cisco UCS fabric interconnect, providing complete network separation for each virtual cable between a PCIe device on the VIC and the interface on the fabric interconnect (Figure 3).



**Figure 3.**  
Cisco UCS VIC 1387 Architecture

---

## Next-Generation Data Center features

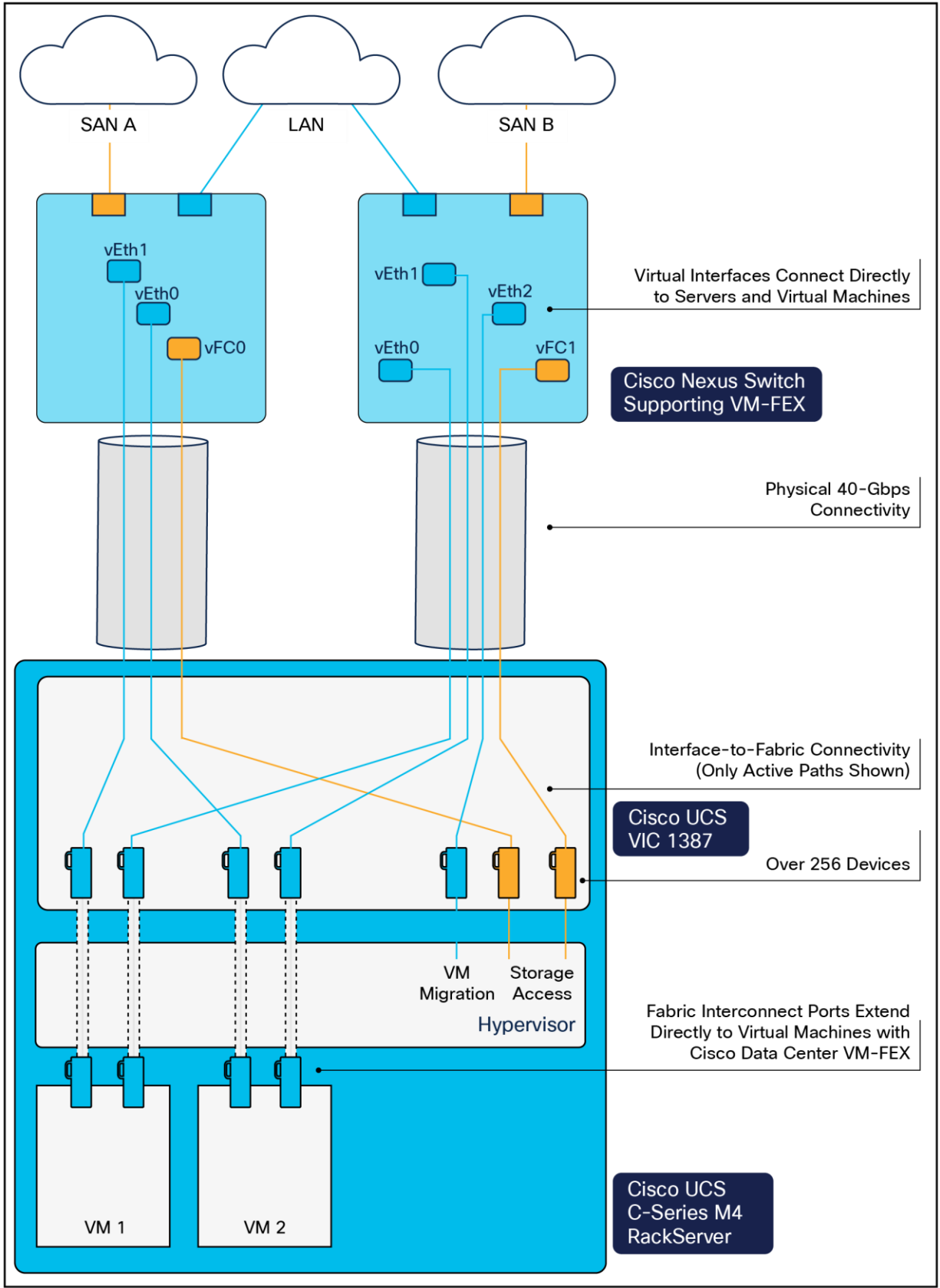
A hardware classification engine provides support for advanced data center requirements, including stateless network offloads for Network Virtualization Using Generic Routing Encapsulation (NVGRE) and Virtual Extensible LAN (VXLAN), low-latency features for the Cisco user-space NIC (usNIC) and Remote Direct-Memory Access (RDMA), and performance optimization applications such as Server Message Block (SMB) Direct, Virtual Machine Queue (VMQ), Data Plane Development Kit (DPDK), and Cisco NetFlow. The Cisco UCS VIC 1387 provides high network performance and low latency for the most demanding applications:

- Big data, High-Performance Computing (HPC), and High-Performance Trading (HPT).
- Large-scale virtual machine deployments.
- High-bandwidth storage targets and archives.

When the VIC 1387 is used in combination with Cisco Nexus® 3000 Series Switches, big data and financial trading applications benefit from high bandwidth and low latency. When the VIC is connected to Cisco Nexus 5000 Series Switches, pools of virtual hosts scale with greater speed and agility. The Cisco Nexus 6004 Switch provides native 40-Gbps FCoE connectivity from the VIC to both Ethernet and Fibre Channel targets.

The VIC provides industry-leading performance and features:

- **Cisco NetFlow:** NetFlow is supported at the adapter level, providing network traffic accounting and monitoring down to the virtual machine level for network billing, security, traffic characterization, and Denial-of-Service (DoS) attack monitoring. NetFlow provides valuable information about network users and applications, peak use times, and traffic routing.
- **Cisco usNIC:** usNIC is an ultra-low-latency solution for HPC and HPT applications over Ethernet. The solution includes firmware, kernel driver, user-space driver, and Open Message Passing Interface (MPI) support for Cisco VICs and provides OS bypass services directly to the application layer.
- **Cisco Data Center VM-FEX:** VM-FEX technology extends fabric interconnect ports directly to virtual machines, eliminating software-based switching in the hypervisor. VM-FEX collapses virtual and physical networking infrastructure into a single infrastructure that is fully aware of the virtual machines' locations and networking policies (Figure 4). VM-FEX is implemented by Cisco VICs with a prestandard implementation of IEEE 802.1BR Port Extender.



**Figure 4.** Cisco Nexus Switch Supporting VM-FEX Virtual Machine Migration with VM-FEX

Table 1 summarizes the main features and benefits of the Cisco UCS VIC 1387.

**Table 1.** Features and Benefits

Feature	Benefit
<b>x8 PCIe Gen3 interfaces</b>	Delivers greater throughput
<b>2 x 40-Gbps unified I/O</b>	<ul style="list-style-type: none"> <li>• Delivers 64 Gbps (x8 PCIe Gen3) to the server</li> <li>• Helps reduce TCO by consolidating the overall number of NICs, HBAs, cables, and switches because LAN and SAN traffic run over the same adapter card and fabric</li> </ul>
<b>Over 256 dynamic virtual adapters and interfaces</b>	<ul style="list-style-type: none"> <li>• Creates fully functional unique and independent PCIe adapters and interfaces (NICs or HBAs) without requiring Single-Root I/O Virtualization (SR-IOV) support from OSs or hypervisors</li> <li>• Allows these virtual interfaces and adapters to be configured and operated independently, just like physical interfaces and adapters</li> <li>• Creates a highly flexible I/O environment needing only one card for all I/O configurations</li> </ul> <p><b>Note:</b> Cisco UCS VIC 1387 hardware is SR-IOV capable, and you can enable SR-IOV after SR-IOV is broadly supported by the popular operating systems. Please refer to Cisco UCS Manager configuration limits for your specific OS and environment in the <a href="#">configuration guide</a>.</p>
<b>Low-latency connectivity</b>	Supports usNIC technology, delivering latency as low as 1.2 microseconds in back-to-back VIC connections; standard latency using the Cisco Nexus 3000 Series Switch is approximately 2 microseconds
<b>Cisco SingleConnect technology</b>	A single unified network: the same network brings LAN, SAN, and management connectivity to each server
<b>Cisco Data Center VM-FEX technology</b>	<ul style="list-style-type: none"> <li>• Unifies virtual and physical networking in a single infrastructure</li> <li>• Provides virtual machine visibility from the physical network and a consistent network operating model for physical and virtual servers</li> <li>• Enables configurations and policies to follow the virtual machine during virtual machine migration</li> </ul>
<b>Centralized management</b>	Enables the mLOM card to be centrally managed and configured by Cisco UCS Manager
<b>Support for advanced features</b>	<ul style="list-style-type: none"> <li>• usNIC</li> <li>• Small Computer System Interface over IP (iSCSI) and iSCSI boot</li> <li>• Ethernet NIC (eNIC) and Fibre Channel NIC (fNIC)</li> <li>• VM-FEX</li> <li>• VMware VMDirectPath</li> <li>• SR-IOV</li> <li>• VMQ</li> <li>• Microsoft System Center Virtual Machine Manager (SCVMM)</li> <li>• DPDK</li> <li>• NetFlow</li> <li>• Cisco Adapter FEX</li> <li>• N-Port ID Virtualization (NPIV)</li> <li>• Receive Flow Steering</li> <li>• Extended Receive (Rx) Ring</li> <li>• Receive Segment Coalescing (RSC)</li> <li>• VMware NetQueue</li> </ul>



Feature	Benefit
	<ul style="list-style-type: none"> <li>• Multi-RQ</li> <li>• Receive-Side Scaling</li> <li>• VXLAN and NVGRE</li> <li>• PTP Capable (Hardware only - Requires future software enablement)</li> </ul>
<b>Fibre Channel</b>	<p>Supports Fibre Channel over the UCS unified fabric with Cisco UCS Fabric Interconnect 6300 Series, 6400 Series and 6536</p> <p>Supports FCoE Fibre Channel with 10-15 Bit Error Rate (BER) connected to the Cisco Nexus 6004 Switch</p>
<b>Network architecture</b>	Provides a redundant path to the Fabric Interconnect using hardware-based fabric failover
<b>More than 600,000 I/O Operations Per Second (IOPS)</b>	Provides high I/O performance for demanding applications
<b>Support for lossless Ethernet</b>	Uses Priority Flow Control (PFC) to enable FCoE as part of the Cisco Unified Fabric
<b>Broad OS and hypervisor support</b>	Supports customer requirements for Microsoft Windows, Red Hat Enterprise Linux, CentOS and Ubuntu, VMware vSphere, and Citrix XenServer

## Product specifications

Table 2 lists the specifications for the Cisco UCS VIC 1387.

**Table 2.** Product specifications

Item	Specifications
<b>Standards</b>	<ul style="list-style-type: none"> <li>• 40 Gigabit Ethernet</li> <li>• IEEE 802.3ae</li> <li>• IEEE 802.3x</li> <li>• IEEE 802.1q VLAN</li> <li>• IEEE 802.1p</li> <li>• IEEE 802.1Qaz</li> <li>• IEEE 802.1Qbb</li> <li>• Pre-standard IEEE 802.1BR</li> <li>• Jumbo frames up to 9 KB</li> <li>• Fibre Channel Protocol (FCP)</li> <li>• SCSI-FCP</li> <li>• T11 FCoE</li> </ul>
<b>Components</b>	Cisco UCS custom Application-Specific Integrated Circuit (ASIC)
<b>Ports</b>	2 x 40-Gbps FCoE QSFP ports
<b>Connectivity</b>	PCIe 3.0 x 8 form factor
<b>Performance</b>	40-Gbps line-rate per port, limited by PCIe 3.0 with (40-Gbps single-port bidirectional and 45-Gbps dual-port bidirectional)

Item	Specifications
<b>Management</b>	Software release: Release 2.0.9 (standalone servers) and Release 3.1 (Cisco UCS Manager)
<b>Number of interfaces</b>	Over 256 virtual interfaces (approximately 8 are reserved for internal use; other factors such as the OS and hypervisor may limit this number further)
<b>Supported switches</b>	<p>Cisco Nexus switches supporting SFP+ and QSFP+ host interfaces including:</p> <ul style="list-style-type: none"> <li>• Cisco UCS FI-6536</li> <li>• Cisco UCS-FI-64108</li> <li>• Cisco UCS-FI-6454</li> <li>• Cisco UCS-FI-6332-16UP</li> <li>• Cisco UCS-FI-6332</li> <li>• Cisco UCS-FI-6248</li> <li>• Cisco UCS-FI-6296</li> <li>• Cisco Nexus 3016Q Switch</li> <li>• Cisco Nexus 3064-X Switch</li> <li>• Cisco Nexus 3064-T Switch</li> <li>• Cisco Nexus 3132Q Switch</li> <li>• Cisco Nexus 3172 Switch</li> <li>• Cisco Nexus 3172TQ Switch</li> <li>• Cisco Nexus 6001 Switch</li> <li>• Cisco Nexus 6004 Switch</li> <li>• Cisco Nexus 5696Q Switch</li> <li>• Cisco Nexus 5648Q Switch</li> <li>• Cisco Nexus 5624Q Switch</li> <li>• Cisco Nexus 5672UP Switch</li> <li>• Cisco Nexus 56128P Switch</li> <li>• Cisco Nexus 9332PQ Switch</li> <li>• Cisco Nexus 9508 Switch</li> </ul>
<b>Physical dimensions</b>	<ul style="list-style-type: none"> <li>• Length = 4.9 in. (12.45 cm)</li> <li>• Width = 3.9 in. (9.90 cm)</li> <li>• Height = 0.6 in. (1.52 cm)</li> </ul>
<b>Supported media</b>	<ul style="list-style-type: none"> <li>• QSFP-40G-SR4, 40GBASE-SR4 QSFP+ transceiver module for MMF, 4 lanes, 850-nm wavelength, 12-fiber MPO/MTP connector</li> <li>• QSFP-40G-SR4-S, 40GBASE-SR4 QSFP+ transceiver module for MMF, 4 lanes, 850-nm wavelength, 12-fiber MPO/MTP connector, S-Class</li> <li>• QSFP-40G-CSR4, 40GBASE-CSR4 QSFP+ transceiver module for MMF, 4 lanes, 850-nm wavelength, 12-fiber MPO/MTP connector</li> <li>• QSFP-40G-SR-BD, 40-Gbps QSFP BiDi optical transceiver</li> <li>• QSFP-40G-LR4 40GBASE-LR4 QSFP+ transceiver module for SMF, duplex LC, 10-km reach</li> <li>• QSFP-40G-LR4-S 40GBASE-LR4 QSFP+ transceiver module for SMF, duplex LC, 10-km reach, S-Class</li> <li>• QSFP-40/100-SRBD, 40-Gbps QSFP BiDi optical transceiver</li> <li>• QSFP-4SFP10G-CU1M, 40GBASE-CR4 QSFP+ to 4 x 10GBASE-CU SFP+ direct-attach breakout cable assembly, 1m passive<sup>(1)</sup></li> <li>• QSFP-4SFP10G-CU3M, 40GBASE-CR4 QSFP+ to 4 x 10GBASE-CU SFP+ direct-attach breakout cable assembly, 3m passive<sup>(1)</sup></li> </ul>

Item	Specifications
	<ul style="list-style-type: none"> <li>• QSFP-H40G-CU1M, direct-attach copper, 1m</li> <li>• QSFP-H40G-CU3M, direct-attach copper, 3m</li> <li>• QSFP-H40G-CU5M, direct-attach copper, 5m</li> <li>• QSFP-H40G-ACU7M, 40GBASE-CR4 QSFP+ direct-attach copper cable, 7m active</li> <li>• QSFP-H40G-ACU10M, 40GBASE-CR4 QSFP+ direct-attach copper cable, 10m active</li> <li>• QSFP-4x10G-AC7M, 40GBASE-CR4 QSFP+ to 4 x 10GBASE-CU SFP+ direct-attach breakout cable assembly, 7m active<sup>(1)</sup></li> <li>• QSFP-4x10G-AC10M, 40GBASE-CR4 QSFP+ to 4 x 10GBASE-CU SFP+ direct-attach breakout cable assembly, 10m active<sup>(1)</sup></li> <li>• QSFP-H40G-AOC1M, 40-Gbps QSFP active optical cable, 1m</li> <li>• QSFP-H40G-AOC2M, 40-Gbps QSFP active optical cable, 2m</li> <li>• QSFP-H40G-AOC3M, 40-Gbps QSFP active optical cable, 3m</li> <li>• QSFP-H40G-AOC5M, 40-Gbps QSFP active optical cable, 5m</li> <li>• QSFP-H40G-AOC7M, 40-Gbps QSFP active optical cable, 7m</li> <li>• QSFP-H40G-AOC10M, 40-Gbps QSFP active optical cable, 10m</li> <li>• QSFP-4X10G-AOC1M, QSFP to 4 x SFP 10-Gbps active optical cable. 1m<sup>(1)</sup></li> <li>• QSFP-4X10G-AOC2M, QSFP to 4 x SFP 10-Gbps active optical cable, 2m<sup>(1)</sup></li> <li>• QSFP-4X10G-AOC3M, QSFP to 4 x SFP 10-Gbps active optical cable, 3m<sup>(1)</sup></li> <li>• QSFP-4X10G-AOC5M, QSFP to 4 x SFP 10-Gbps active optical cable, 5m<sup>(1)</sup></li> <li>• QSFP-4X10G-AOC7M, QSFP to 4 x SFP 10-Gbps active optical cable, 7m<sup>(1)</sup></li> <li>• QSFP-4X10G-AOC10M, QSFP to 4 x SFP 10-Gbps active optical cable, 10m<sup>(1)</sup></li> <li>• CVR-QSFP-SFP10G, QSFP to SFP+ adapter (QSA)</li> </ul>
<b>SFP Cables support with QSA</b>	<ul style="list-style-type: none"> <li>• SFP-10G-SR (short range, MMF)</li> <li>• SFP-10G-LR (long range, SMF)</li> <li>• 10GBase-CU SFP+ cable, 1m</li> <li>• 10GBase-CU SFP+ cable, 3m</li> <li>• 10GBase-CU SFP+ cable, 5m</li> <li>• SFP-10GB-ACU cable, 7m</li> </ul>
<b>Typical power</b>	25W with 40-Gbps BiDi and 22W with SR4 optics

<sup>(1)</sup> Break-out from VIC 1387 are supported when connecting to standalone switches and not towards Fabric Interconnects.

Third party cables and transceivers are not supported by the Cisco UCS C-series VICs and the link would not come up if they are used to connect UCS C-Series VIC to a Fabric Interconnect or to a ToR switch like Nexus 9K. Hence when connecting UCS C-series VIC to Fabric Interconnect or a ToR switch only the supported transceivers and cables listed above should be used.

## System requirements

The Cisco UCS VIC 1387 is designed for use only on Cisco UCS C-Series Rack Servers. A single VIC 1387 is supported on the Cisco UCS C220 M4/M5, C240 M4/M5, C460 M4, and C480 M5 Rack Servers. The Cisco UCS C3160 Servers can support up to two VIC 1387 cards.

## Warranty information

Find warranty information at Cisco.com on the [Product Warranties](#) page.

## Product sustainability

Information about Cisco's Environmental, Social, and Governance (ESG) initiatives and performance is provided in Cisco's CSR and sustainability [reporting](#).

**Table 3.** Cisco environmental sustainability information

Sustainability topic		Reference
<b>General</b>	Information on product-material-content laws and regulations	<a href="#">Materials</a>
	Information on electronic waste laws and regulations, including our products, batteries, and packaging	<a href="#">WEEE Compliance</a>
	Information on product takeback and reuse program	<a href="#">Cisco Takeback and Reuse Program</a>
	Sustainability inquiries	Contact: <a href="mailto:csr_inquiries@cisco.com">csr_inquiries@cisco.com</a>
	Standards	<a href="#">Table 2. Product specifications</a>
<b>Power</b>	Typical power	<a href="#">Table 2. Product specifications</a>
<b>Material</b>	Product packaging weight and materials	Contact: <a href="mailto:environment@cisco.com">environment@cisco.com</a>
	Physical dimensions	<a href="#">Table 2. Product specifications</a>

## Cisco unified computing services

Using a unified view of data center resources, Cisco and our industry-leading partners deliver services that accelerate your transition to a unified computing architecture. Cisco Unified Computing Services help you quickly deploy your data center resources, simplify ongoing operations, and optimize your infrastructure to better meet your business needs. For more information about these and other Cisco Data Center Services, visit <https://www.cisco.com/go/unifiedcomputingservices>.

## Why Cisco?

The Cisco Unified Computing System continues Cisco's long history of innovation in delivering integrated systems for improved business results based on industry standards and using the network as the platform. Recent examples include IP telephony, LAN switching, unified communications, and unified I/O. Cisco began the unified computing phase of our unified data center strategy several years ago by assembling an experienced team from the computing and virtualization industries to augment our own networking and storage access expertise. As a result, Cisco delivered foundational technologies, including the Cisco Nexus Family, supporting unified fabric and server virtualization. Cisco UCS completes this phase, delivering innovation in architecture, technology, partnerships, and services. Cisco is well positioned to deliver this innovation by taking a systems approach to computing that unifies network intelligence and scalability with innovative ASICs, integrated management, and standard computing components.

---

## Cisco Capital

### **Flexible payment solutions to help you achieve your objectives**

Cisco Capital makes it easier to get the right technology to achieve your objectives, enable business transformation and help you stay competitive. We can help you reduce the total cost of ownership, conserve capital, and accelerate growth. In more than 100 countries, our flexible payment solutions can help you acquire hardware, software, services and complementary third-party equipment in easy, predictable payments. [Learn more.](#)

### For more information

For more information about Cisco UCS, visit <https://www.cisco.com/en/US/products/ps10265/index.html>

---

## Document history

New or Revised Topic	Described In	Date

**Americas Headquarters**  
Cisco Systems, Inc.  
San Jose, CA

**Asia Pacific Headquarters**  
Cisco Systems (USA) Pte. Ltd.  
Singapore

**Europe Headquarters**  
Cisco Systems International BV Amsterdam,  
The Netherlands

Cisco has more than 200 offices worldwide. Addresses, phone numbers, and fax numbers are listed on the Cisco Website at <https://www.cisco.com/go/offices>.

Cisco and the Cisco logo are trademarks or registered trademarks of Cisco and/or its affiliates in the U.S. and other countries. To view a list of Cisco trademarks, go to this URL: <https://www.cisco.com/go/trademarks>. Third-party trademarks mentioned are the property of their respective owners. The use of the word partner does not imply a partnership relationship between Cisco and any other company. (1110R)