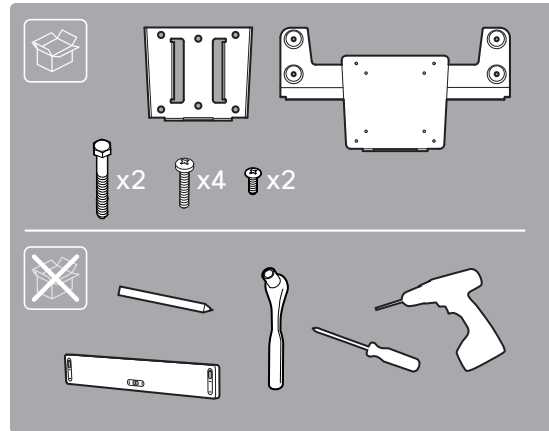




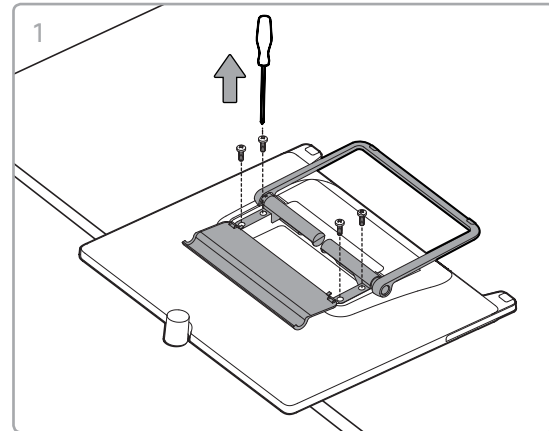
# Cisco DX80 VESA Mount Adapter and Wall Bracket



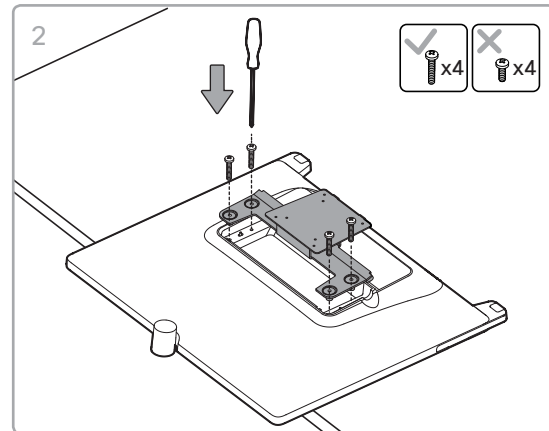
The VESA mount adapter is compatible with VESA 100 x 100 and 75 x 75 mounting patterns.

The VESA adapter can be used with third party VESA mounts, such as a VESA arm. Follow steps 1 - 2 to mount the VESA adapter.

## VESA Adapter



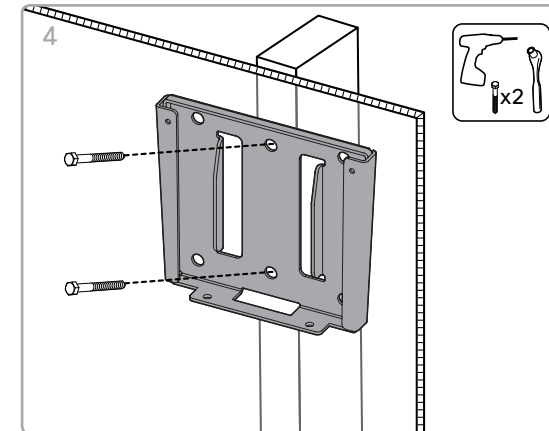
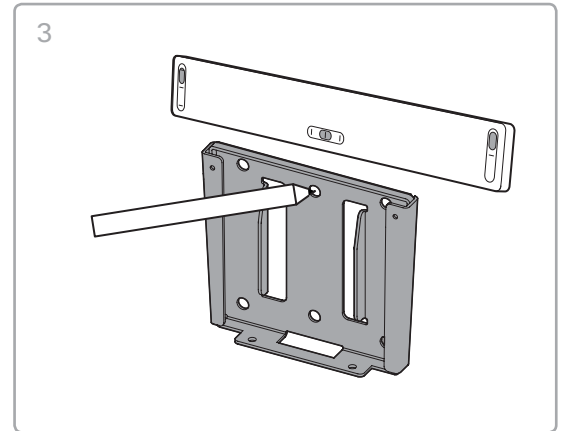
Place the DX80 on a clean, flat surface. Make sure not to exert force on the camera, or the screen, that may damage your system.



## Wall Mounting

Take into consideration before you install:

- Due to the size and mass of this product it is important that the wall mounted system is safely installed according to these installation instructions.
- Make sure that the type of wall is capable of supporting the system and only use screws that are suitable for that type of wall. The lag screws that come with the product are **ONLY** suitable for installation into a single wood stud.
- The wall mounted system must be installed by qualified personnel, in accordance with state and local building regulations.



Use four screws to mount on two beams, concrete and plaster walls. Use two screws to mount on one beam.

