



Mounting the Kit Assembly (Display Mount) for Cisco Edge 340 Series

First Published: July 10, 2013

78-21288-01

This guide explains how to assemble and install a support case safely. This case:

- Provides physical stability for a Cisco Edge 340.
- Discourages tampering and prevents theft of the Cisco Edge 340.
- Facilitates secure mount on a Video Electronics Standards Association (VESA)-compliant flat-panel display for which you should obtain a third-party VESA-mounting kit.
- Facilitates airflow for ventilation of the Cisco Edge 340.
- Provides an adaptable and cost-effective alternative to complex cabinet-making and construction projects that is used to store the Cisco Edge 340.

This guide is intended for the general contractors, specialty trade contractors, subcontractors, and other licensed professionals who are experienced in light construction work. This document contains the following section:

- [Product Kit Contents, page 2](#)
- [Tools That You Might Need, page 4](#)
- [Installation Scenarios, page 4](#)
- [Securing the Assembled Mounting Kit and the Cisco Edge 340, page 6](#)
- [Obtaining Documentation and Submitting a Service Request, page 7](#)



Product Kit Contents

The product kit contains fabricated parts made from sheet metal and a plastic bag that holds standard supplies (fasteners). Installation scenarios in this guide refer to fasteners by the numbers as specified in the first column (No.) of [Table 1](#).

Table 1 Fasteners (Not Shown to Exact Scale)





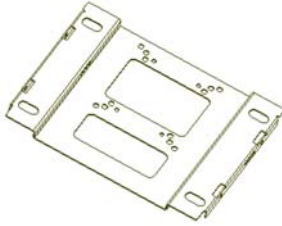
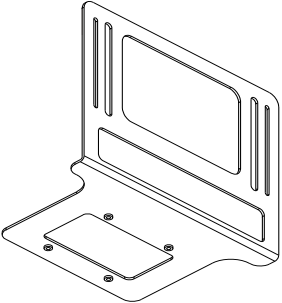
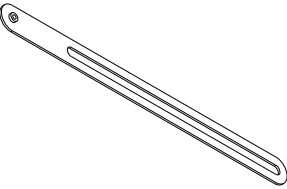
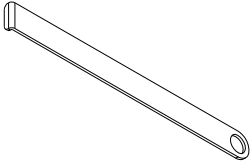
No.	Description							Fastener		
	Drive Type	Head Shape	Driving Torque (inch-pounds)	Subcategory and Purpose	Appearance	Unified Thread Standard	Length in Inches	Head Diameter	Type	Quantity
1	Phillips	Flat	12-14 in-lb	Machine screw. Used while fastening the front cover to the back plate.		8-32	0.375	.375/.345	Screw	4
2	Phillips	Pan	18-20 in-lb	Machine screw with internal washer. <ul style="list-style-type: none"> Used while fastening the back plate to an LCD-mount support bracket. Used in combination with a No. 10 flat washer while fastening an LCD-mount plate to the LCD-mount support bracket. 		10-32	0.375	.372/.383	Screw	6
3	—	—	—	No. 10 flat washer. Used in combination with a pan-head machine screw while fastening an LCD-mount plate to the LCD-mount support bracket.		—	.040	.562	Washer	2

Table 2 shows the fabricated parts that are contained in this product kit.

Table 2 **Fabricated Parts (Not Shown to Exact Scale)**

Name	Appearance	Quantity	Provided with This Mount Kit	Used in Flat-panel Mounting Scenarios
Front Cover		1	Yes	Yes
Back Plate		1	Yes	Yes
LCD-mount Support Bracket (VESA compliant)		1	Yes	Yes
LCD-mount Plate (VESA compliant)		2	Yes	Yes
Locking Plate		1	Yes	Yes

Tools That You Might Need

Your professional training and judgment as a licensed contractor will determine the actual tools that you use while completing the scenarios that this guide describes. Common tools could include:

- A power drill or an awl
- A Phillips screwdriver
- A crescent wrench or socket wrench
- A pencil
- A bubble level or laser level

Installation Scenarios

- [Mounting to a Flat-Panel Display, page 4](#)

Mounting to a Flat-Panel Display

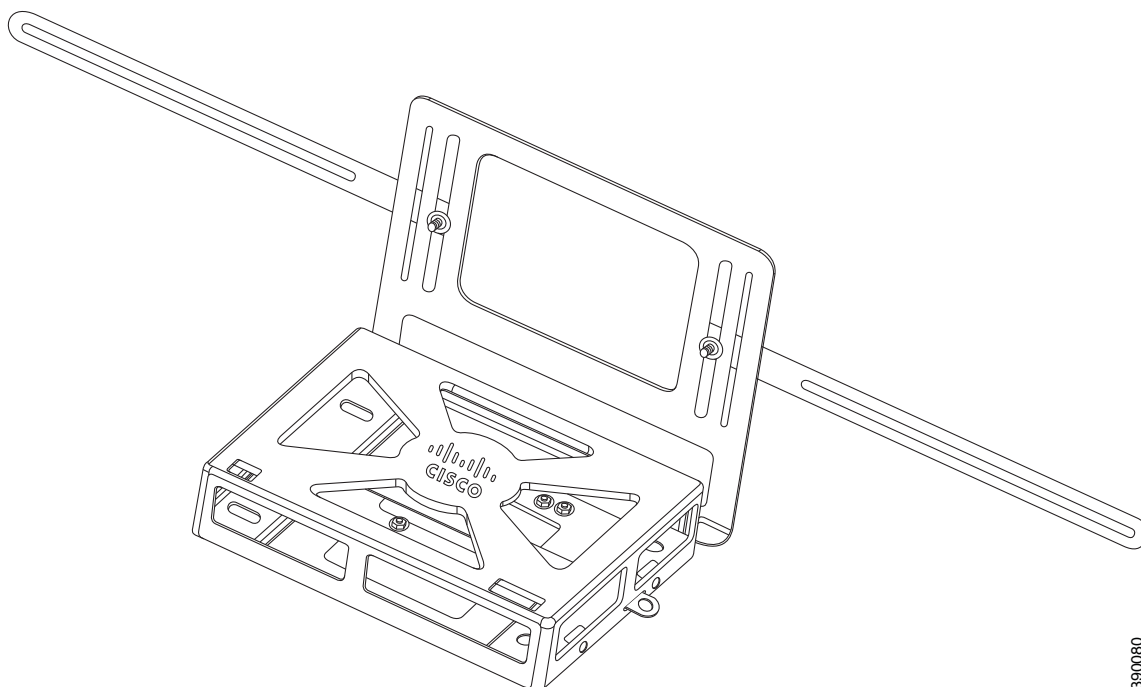
You can use your mounting kit to mount a Cisco Edge 340 to almost any VESA compliant flat-panel display that is attached to a third-party VESA bracket. You can mount your Cisco Edge 340 above or below the flat-panel display, whether the display is oriented in landscape mode (horizontal) or portrait mode (vertical).

**Note**

See the manufacturer documentation pertaining to your display to learn if its casing is VESA compliant and, if so, where you can obtain a compatible VESA bracket for it. Cisco does not sell VESA brackets or kits.

The LCD-mount plates for this product might not be long enough to mount your mounting kit to an extremely large flat-panel display even if that display is VESA compliant.

Figure 1 ACC-E340-M-D Assembled for Secure Mounting to a VESA-Compliant Display



390056

**Note**

To fasten an LCD-mount plate to the LCD mount support bracket, use screw No. 2 with washer No. 3. For information about these screws, see [Table 1 on page 2](#).

Before You Begin

- The fasteners for this scenario should be number 1, 2, and 3. For information about these fasteners, see [Table 1 on page 2](#). In addition, you will be using screws from the installation kit for your third-party VESA bracket.
- To learn which fabricated parts to use, find the column that describes this scenario in [Table 2 on page 3](#).

Procedure

- Step 1** Place the LCD mount support bracket on a flat surface, such as a table or workbench. Its threaded bores should touch the flat surface.
- Step 2** Place the back plate on the bracket so that *both* of the following statements are true:
 - The threaded studs on the back plate should point at you.
 - The curved edge of the back plate is pointing away from the back of the bracket.
- Step 3** Make sure that the bores in the back plate are aligned with bores in the bracket.
- Step 4** Thread a No. 2 screw through each bore in the back plate, and then through the corresponding bore in the bracket. For information about this screw, see [Table 1 on page 2](#).
- Step 5** Place the front cover on a flat surface, such as a table or workbench. Its side supports should point at you.

- Step 6** Flip your Cisco Edge 340 upside-down and place it inside the front cover. The Cisco logo on the Cisco Edge 340 chassis should touch the center cross on the front cover, and should be aligned with the Cisco logo on the front cover.
- Step 7** Place the front cover onto the back plate so that the Cisco Edge 340 is between them. The bearing slot of the front cover should be aligned with the same one of the back plate.
- Step 8** Thread a No. 1 screw through each side support bore in the front cover, until the screw head forms a level plane with the side support. For information about this screw, see [Table 1 on page 2](#).
- Step 9** Perform the following tasks, *first on one side of the LCD-mount support bracket and then on the other side*:
- Carefully position a flat washer (No. 3) over the *innermost* slot that extends vertically down the LCD-mount support bracket.
 - Insert the lip of the threaded insert from one LCD-mount plate through the flat washer and into the bracket slot.
 - Thread a No. 2 screw through the back of the bracket slot into the flat washer, and then into the threaded insert on the LCD-mount Plate.
 - Manipulate the LCD-mount plate such that its angle of rotation extends correctly outward (perpendicular) from the bracket.
 - Whether you mount the Cisco Edge 340 above or below the flat-panel display, the free end of the LCD-mount plate should be aligned correctly with a threaded VESA bore on the back of your flat-panel display.
 - Thread a screw (provided with your third-party VESA bracket kit) through the long slot in the LCD-mount plate and into the highest-threaded VESA bore on the corresponding side of your flat-panel display.
- Step 10** Insert the locking plate through the bearing slot on either side of the front cover, and then push it through the bearing slot in the opposite side.
-

Securing the Assembled Mounting Kit and the Cisco Edge 340

You can secure your assembled mounting kit and the Cisco Edge 340 that it contains, to discourage tampering and prevent theft. The method that you use is left to your discretion as a professional. The procedure described here is only one possible method.

- Step 1** Feed one end of a security cable through the mouth of the locking plate.
- Step 2** Feed the other end of the security cable through or around a heavy, stationary object.
- Step 3** Use a padlock to join both the ends of the security cable together.
-

Obtaining Documentation and Submitting a Service Request

For information on obtaining documentation, submitting a service request, and gathering additional information, see *What's New in Cisco Product Documentation* at:
<http://www.cisco.com/en/US/docs/general/whatsnew/whatsnew.html>.

Subscribe to *What's New in Cisco Product Documentation*, which lists all new and revised Cisco technical documentation, as an RSS feed and deliver content directly to your desktop using a reader application. The RSS feeds are a free service.

Cisco and the Cisco logo are trademarks or registered trademarks of Cisco and/or its affiliates in the U.S. and other countries. To view a list of Cisco trademarks, go to this URL: www.cisco.com/go/trademarks. Third-party trademarks mentioned are the property of their respective owners. The use of the word partner does not imply a partnership relationship between Cisco and any other company. (1110R)

Any Internet Protocol (IP) addresses used in this document are not intended to be actual addresses. Any examples, command display output, and figures included in the document are shown for illustrative purposes only. Any use of actual IP addresses in illustrative content is unintentional and coincidental.

© 2013 Cisco Systems, Inc. All rights reserved.



安装 Cisco Edge 340 系列的组件套件 (显示器安装)

首次发行日期：2013 年 7 月 10 日

78-21288-01

本指南介绍如何安全组装及安装支架外壳。此外壳：

- 为 Cisco Edge 340 系列提供物理稳定性。
- 防止改装和避免 Cisco Edge 340 系列被窃。
- 便于在符合视频电子设备标准协会 (VESA) 规范的平板显示器上安全地进行安装，安装时需要获取第三方 VESA 安装套件。
- 改善通风气流。
- 提供适应性强且成本效益高的替代方案来存放 Cisco Edge 340，取代复杂的机柜搭设和施工工程。

本指南为总承包商、专业行业承包商、分包商和其他从事轻型建筑施工的持证专业人员编写。本文档包含以下部分：

- [产品套件内容，第 2 页](#)
- [可能需要的工具，第 4 页](#)
- [安装情景，第 4 页](#)
- [保护完成组装的安装套件和 Cisco Edge 340，第 7 页](#)
- [获取文档和提交服务请求，第 7 页](#)



产品套件内容

产品套件中包含由金属片制成的预制件和用于放置标准供应品（紧固件）的塑料袋。本指南中的安装情景使用表 1 第一列（编号列）中指定的编号来表示紧固件。

表 1 紧固件（非实物大小）



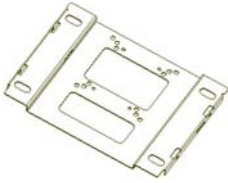
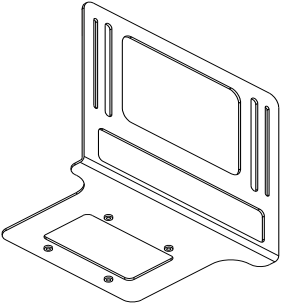
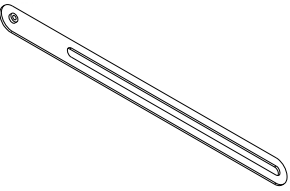
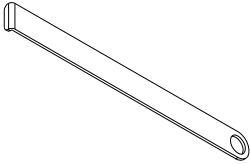
编号	说明								紧固件	
	螺丝刀类型	螺钉帽形状	螺丝刀扭矩（英寸-磅）	子类别与用途	外观	统一螺纹标准	长度（英寸）	螺钉帽直径	类型	数量
1	十字	平头	12-14 英寸-磅	机械螺钉。用于将前侧护罩固定到后侧支撑板上。		8-32	0.375	0.375/ 0.345	螺钉	4
2	十字	盘头	18-20 英寸-磅	带有内部垫圈的机械螺钉。 <ul style="list-style-type: none"> 将后侧支撑板固定到 LCD 安装支架上时使用。 与 10 号平垫圈一起用于将 LCD 安装板固定到 LCD 支架上。 		10-32	0.375	0.372/ 0.383	螺钉	6
3	—	—	—	10 号平垫圈与盘头机械螺钉一起用于将 LCD 安装板固定到 LCD 支架上。		—	0.040	0.562	垫圈	2

表 2 中列出了此产品套件中包含的组装部件。

表 2 组装部件（非实物大小）

名称	外观	数量	随此安装套件提供	用于平面安装情景
前侧护罩		1	是	是
后侧支撑板		1	是	是
LCD 安装支架（符合 VESA 标准）		1	是	是
LCD 安装板（符合 VESA 标准）		2	是	是
定位板		1	是	是

可能需要的工具

在完成本指南中描述的情景时，您可以根据所接受的专业培训和授权承包商资质来判断实际需要使用的工具。常见工具包括：

- 电钻或锥子
- 十字螺丝刀
- 月牙扳手或套筒扳手
- 铅笔
- 气泡水平仪或激光水平仪

安装情景

- [安装到平板显示器上，第 4 页](#)

安装到平板显示器上

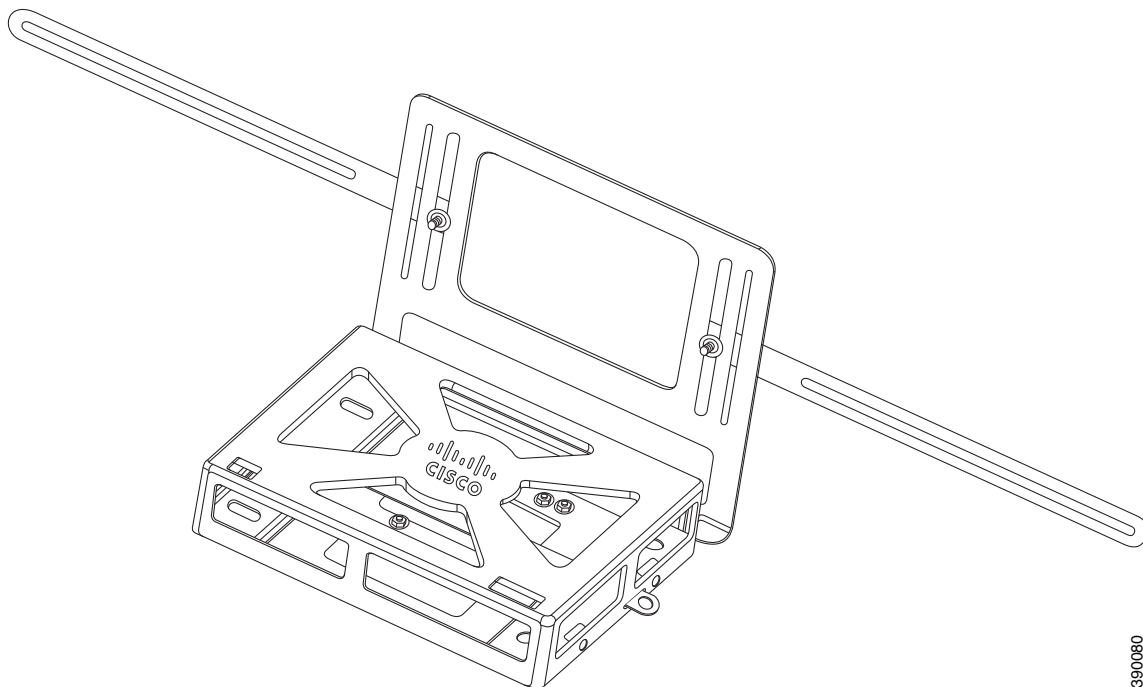
使用安装套件可以将 Cisco Edge 340 安装到几乎所有连接在第三方 VESA 支架上并且符合 VESA 标准的平板显示器上。您可以将 Cisco Edge 340 安装在平板显示器的上方或下方，无论显示器采用平放（水平）还是立放（垂直）。



注意

请参阅与显示器有关的制造商文档来了解其外形是否符合 VESA 标准。如果符合标准，请进一步了解从何处购买适合此显示器的 VESA 标准支架。Cisco 不销售 VESA 支架或套件。本产品的 LCD 安装板可能因长度不足而无法将您的安装套件安装到超大平板显示器上，即使该显示器符合 VESA 标准。

图 1 用于安全地安装到符合 VESA 标准的显示器上的 ACC-E340-M-D



注意

要将 LCD 安装板固定到 LCD 支架上，请使用编号 2 螺钉和编号 3 垫圈。有关这些部件的信息，请参阅第 2 页上的表 1。

准备工作

- 此情景的紧固件应为编号 1、2 和 3。有关这些紧固件的信息，请参阅第 2 页上的表 1。此外，您需要使用适合第三方 VESA 支架的安装套件中的螺钉。
- 要了解需要使用哪些组装部件，请参考第 3 页上的表 2 中描述此情景的列。

操作步骤

- 步骤 1** 将 LCD 安装支架放在平面上，例如桌子或工作台上。支架的螺纹孔应紧贴平面。
- 步骤 2** 将后侧支撑板放在支架上，让其符合下述两个条件：
 - 后侧支撑板上的螺柱应指向您。
 - 后侧支撑板的曲边应背对支架后侧。
- 步骤 3** 确保后侧支撑板上的螺纹孔与支架上的螺纹孔对齐。
- 步骤 4** 将编号 2 螺钉拧入后侧支撑板上的各个螺纹孔，然后穿过支架上相应的螺纹孔。有关此螺钉的信息，请参阅第 2 页上的表 1。
- 步骤 5** 将前侧护罩放在平面上，例如桌子或工作台上。护罩的侧边支架应朝向您。
- 步骤 6** 翻转 Cisco Edge 340 使其正面向下，然后将其置入前侧护罩中。Cisco Edge 340 机箱上的思科徽标应对准侧护罩的中心交汇处，并与前侧护罩中心的思科徽标保持同一方向。

- 步骤 7** 将前侧护罩放到后侧支撑板上，将 Cisco Edge 340 夹在中间，使得前侧护罩与后侧支撑板上的定位板止动插槽对齐。
- 步骤 8** 将编号 1 螺钉拧入前侧护罩中的各个侧边支架螺纹孔，直至螺钉头与侧边支架位于同一水平面上。有关此螺钉的信息，请参阅第 2 页上的表 1。
- 步骤 9** 执行下列任务，先在 LCD 安装支架的一面执行，然后转到另一面执行：
- a. 小心地将平垫圈（编号 3）放在沿 LCD 安装支架垂直方向延伸的最内侧插孔上。
 - b. 将螺纹嵌入件边缘从一个 LCD 安装板穿过平垫圈，然后插入支架插孔。
 - c. 将编号 2 螺钉拧入支架插孔的后侧，穿过平垫圈，然后拧入 LCD 安装板上的螺纹嵌入件。
 - d. 移动 LCD 安装板，使其恰好与支架垂直，成直角向外伸出。
 - e. 无论将 Cisco Edge 340 安装在平板显示器上方还是下方，LCD 安装板的自由端均应与平板显示器后侧的 VESA 螺纹孔正确对齐。
 - f. 将螺钉（随第三方 VESA 支架套件提供）拧入 LCD 安装板上的长插孔，然后拧入平板显示器相应侧边上最高的 VESA 螺纹孔。
- 步骤 10** 将定位板插入前侧护罩上任意一边的止动插槽，然后将其推到另一边的止动插槽。
-

保护完成组装的安装套件和 Cisco Edge 340

您可以保护完成组装的安装套件和套件中包含的 Cisco Edge 340，防止改装和失窃。您所使用的方法可以根据自己的专业知识来决定。本文中介绍的流程只是可供使用的方法之一。

-
- 步骤 1** 将安全电缆的一端穿过定位板的开口。
 - 步骤 2** 将安全电缆的另一端穿过或绕在固定重物上。
 - 步骤 3** 使用挂锁将安全电缆的两端固定到一起。
-

获取文档和提交服务请求

有关获取文档、提交服务请求和收集更多信息的相关内容，请参阅 *思科产品文档更新*，网址为：
<http://www.cisco.com/en/US/docs/general/whatsnew/whatsnew.html>。

通过 RSS 源的方式订阅 *思科产品文档更新*（其中包括所有新的和修改过的思科技术文档），并将相关内容通过阅读器应用程序直接发送至您的桌面。RSS 源是一种免费服务。

思科和思科徽标是思科和/或其附属公司在美国以及其他国家/地区的商标或注册商标。要查看思科商标列表，请访问此 URL：
www.cisco.com/go/trademarks。本文提及的第三方商标均归属其各自所有者。使用“合作伙伴关系”一词并不意味着思科和任何其他公司存在合伙关系。(1110R)

本文档中使用的任何 Internet 协议 (IP) 地址都不是有意使用的真实地址。本文档中所含的任何示例、命令显示输出和图形仅供说明之用。说明内容中用到的任何真实 IP 地址都纯属巧合，并非有意使用。

© 2013 Cisco Systems, Inc. 保留所有权利。

