



This product has been  
discontinued

# Cisco UCS B420 M3 Blade Server

CISCO SYSTEMS  
170 WEST TASMAN DR.  
SAN JOSE, CA, 95134  
[WWW.CISCO.COM](http://WWW.CISCO.COM)

PUBLICATION HISTORY  
REV C.12 JANUARY 22, 2020

---

# CONTENTS

<b>OVERVIEW</b>	<b>3</b>
<b>DETAILED VIEWS</b>	<b>4</b>
Blade Server Front View	4
<b>BASE SERVER STANDARD CAPABILITIES and FEATURES</b>	<b>5</b>
<b>CONFIGURING the SERVER</b>	<b>7</b>
STEP 1 VERIFY SERVER SKU	8
STEP 2 CHOOSE CPU(S)	9
STEP 3 CHOOSE MEMORY	11
STEP 4 CHOOSE DISK DRIVES (OPTIONAL)	15
STEP 5 CHOOSE ADAPTERS	17
STEP 6 ORDER A TRUSTED PLATFORM MODULE (OPTIONAL)	21
STEP 7 ORDER CISCO FLEXIBLE FLASH SECURE DIGITAL CARDS	22
STEP 8 ORDER INTERNAL USB 2.0 DRIVE (OPTIONAL)	23
STEP 9 ORDER FLASH-BACKED WRITE CACHE (OPTIONAL)	24
STEP 10 CHOOSE OPERATING SYSTEM AND VALUE-ADDED SOFTWARE	25
STEP 11 CHOOSE OPERATING SYSTEM MEDIA KIT (OPTIONAL)	28
STEP 12 CHOOSE SERVICE and SUPPORT LEVEL	29
STEP 13 CHOOSE LOCAL KVM I/O CABLE* (OPTIONAL)	34
<b>SUPPLEMENTAL MATERIAL</b>	<b>35</b>
System Board	35
DIMM and CPU Layout	37
DIMM Population Order	38
Network Connectivity	42
VIC 1240 and Port Expander	44
Connectivity Using the Cisco UCS 2208XP Fabric Extender	45
Connectivity using the Cisco UCS 2204XP Fabric Extender	54
Connectivity using the Cisco UCS 2104XP Fabric Extender	63
<b>TECHNICAL SPECIFICATIONS</b>	<b>69</b>
Dimensions and Weight	69
Power Specifications	69

## OVERVIEW

Designed for enterprise performance and scalability, the Cisco® UCS B420 M3 Blade Server combines the advantage of 4-socket computing with the cost-effective latest Intel® Xeon® E5-4600 v2 and E5-4600 series processor family CPUs, for demanding virtualization and database workloads.

With industry-leading compute density, I/O bandwidth and memory footprint, the UCS B420 M3 is a balanced, high-performance platform that complements the UCS blade server portfolio. The full-width UCS B420 M3 supports 1.5 TB of memory and leverages UCS VIC technology for up to 160 Gb aggregate I/O bandwidth.

The UCS B420 M3 is part of the Cisco Unified Computing System (UCS) that combines blade and rack servers with networking and storage access into a single unified system. Centrally configured through unified, model-based management, Cisco UCS simplifies and speeds deployment of enterprise-class applications running in bare-metal, virtualized and cloud-computing environments.

Figure 1 Cisco UCS B420 M3 Blade Server



## DETAILED VIEWS

### Blade Server Front View

*Figure 2* is a detailed front view of the Cisco UCS B420 M3 Blade Server.

Figure 2 Blade Server Front View

1	Drive bay 1	8	Power button and LED
2	Drive bay 2	9	Network link status LED
3	Drive bay 3	10	Blade health LED
4	Drive bay 4	11	Console connector <sup>1</sup>
5	Blade ejector handle	12	Reset button access
6	Asset pull handle (a blank asset tag is provided on which you can add your own label or sticker or you can use a marker to write your asset information on the tag)	13	Beaconing LED and button
7	Blade ejector handle	-	-

Notes

1. For information about the KVM local I/O cable that plugs into the console connector (a cable is included with every Cisco UCS 5100 Series blade server chassis accessory kit), see [CHOOSE LOCAL KVM I/O CABLE\\* \(OPTIONAL\) on page 34](#).

## BASE SERVER STANDARD CAPABILITIES and FEATURES

*Table 1* lists the capabilities and features of the base server. Details about how to configure the server for a particular feature or capability (for example, number of processors, disk drives, or amount of memory) are provided in *CONFIGURING the SERVER on page 7*.



**NOTE:** The B420 M3 blade server requires UCS Manager (UCSM) to operate as part of the UCS system.

- The B420 M3 with E5-4600 CPUs requires UCSM 2.0 (4b) or later
- The B420 M3 with E5-4600 v2 CPUs requires UCSM 2.2 (2c) or later

Table 1 Capabilities and Features

Capability/Feature	Description
Blade server chassis	The full-width UCS B420 M3 Blade Server mounts in a Cisco UCS 5100 series blade server chassis
CPU	Up to four Intel® E5-4600 v2 or E5-4600 series processor family CPUs. 2- and 4-CPU configurations are supported on the UCS B420 M3.
Chipset	Intel® C600 series chipset
Memory	48 total slots for registered ECC DIMMs
I/O	3 configurable adapter slots: <ul style="list-style-type: none"> <li>■ One slot supports the Cisco VIC 1240 adapter only.</li> <li>■ Two slots support Cisco adapters, Emulex and QLogic adapters, and Cisco UCS Storage Accelerator adapters.</li> </ul>
Storage controller	Integrated LSI Logic SAS 2208R controller <ul style="list-style-type: none"> <li>■ SAS/SATA/SSD support</li> <li>■ RAID 0, 1, 5, 10</li> <li>■ Optional 1 GB flash-backed write cache</li> </ul>
Internal storage devices	Four hot-plug 2.5" SFF drive bays One internal USB 2.0 port Two Cisco Flexible Flash secure digital card slots
Interfaces	Front panel <ul style="list-style-type: none"> <li>■ One console connector (see <i>CHOOSE LOCAL KVM I/O CABLE* (OPTIONAL) on page 34</i>)</li> </ul>

Table 1 Capabilities and Features (continued)

Capability/Feature	Description
Video	<p>The Cisco Integrated Management Controller (CIMC) provides video using the Matrox G200e video/graphics controller:</p> <ul style="list-style-type: none"> <li>■ Integrated 2D graphics core with hardware acceleration</li> <li>■ DDR2/3 memory interface supports up to 512 MB of addressable memory (8 MB is allocated by default to video memory)</li> <li>■ Supports display resolutions up to 1920 x 1200 16bpp @ 60Hz</li> <li>■ High-speed integrated 24-bit RAMDAC</li> <li>■ Single lane PCI-Express host interface running at Gen 1 speed</li> </ul>
Power subsystem	Integrated in the Cisco UCS 5100 series blade server chassis
Fans	Integrated in the Cisco UCS 5100 series blade server chassis
Integrated management processor	The built-in Cisco Integrated Management Controller (CIMC) GUI or CLI interface enables you to monitor the server inventory, health, and system event logs.
Cisco UCS Diagnostics for Cisco UCS B-Series Blade Servers	<p>The Cisco UCS Blade Server Diagnostics tool for Cisco UCS Blade Servers enables you to verify the health of the hardware components on your servers. The diagnostics tool provides a variety of tests to exercise and stress the various hardware subsystems on the Cisco UCS Blade Servers, such as memory and CPU. You can use the tool to run a sanity check on the state of your Cisco UCS Blade Servers after you fix or replace a hardware component. You can also use this tool to run comprehensive burn-in tests before you deploy a new Cisco UCS Blade Server in your production environment.</p> <p>See the following links for more information:</p> <p>User Guide:  <a href="http://www.cisco.com/c/en/us/td/docs/unified_computing/ucs/sw/ucs_diagnostics/b_UCS_Blade_Server_Diagnostics_User_Guide.html">http://www.cisco.com/c/en/us/td/docs/unified_computing/ucs/sw/ucs_diagnostics/b_UCS_Blade_Server_Diagnostics_User_Guide.html</a></p> <p>ISO Download:  <a href="http://www.cisco.com/cisco/software/navigator.html">http://www.cisco.com/cisco/software/navigator.html</a></p>

---

# CONFIGURING the SERVER

Follow these steps to configure the Cisco UCS B420 M3 Blade Server:

- *STEP 1 VERIFY SERVER SKU, page 8*
- *STEP 2 CHOOSE CPU(S), page 9*
- *STEP 3 CHOOSE MEMORY, page 11*
- *STEP 4 CHOOSE DISK DRIVES (OPTIONAL), page 15*
- *STEP 5 CHOOSE ADAPTERS, page 17*
- *STEP 6 ORDER A TRUSTED PLATFORM MODULE (OPTIONAL), page 21*
- *STEP 7 ORDER CISCO FLEXIBLE FLASH SECURE DIGITAL CARDS, page 22*
- *STEP 8 ORDER INTERNAL USB 2.0 DRIVE (OPTIONAL), page 23*
- *STEP 9 ORDER FLASH-BACKED WRITE CACHE (OPTIONAL), page 24*
- *STEP 10 CHOOSE OPERATING SYSTEM AND VALUE-ADDED SOFTWARE, page 25*
- *STEP 11 CHOOSE OPERATING SYSTEM MEDIA KIT (OPTIONAL), page 28*
- *STEP 12 CHOOSE SERVICE and SUPPORT LEVEL, page 29*
- *STEP 13 CHOOSE LOCAL KVM I/O CABLE\* (OPTIONAL), page 34*

## STEP 1 VERIFY SERVER SKU

Verify the product ID (PID) of the server as shown in [Table 2](#).

Table 2 PID of the Base UCS B420 M3 Blade Server

Product ID (PID)	Description
UCSB-B420-M3	UCS B420 M3 Blade Server with no CPU, memory, HDD, SSD, mLOM, or adapter card

The base Cisco UCS B420 M3 blade server does not include the following components. They must be selected during product ordering:

- CPUs
- Memory
- Disk drives
- Cisco adapters (such as the VIC 1240, VIC 1280, and Port Expander)
- Emulex and QLogic network adapters
- Cisco UCS Storage Accelerators (such as the Fusion-io and LSI Logic adapters)



**NOTE:** Use the steps on the following pages to order servers with the configurable components that you want configured in your servers.

---



## STEP 2 CHOOSE CPU(S)

The standard CPU features are:

- Intel Xeon processor E5-4600 v2 or E5-4600 series processor family CPUs
- Core counts of up to 12
- Cache sizes of up to 30 MB

### Select CPUs

The supported Intel Xeon E5-4600 v2 and E5-4600 series CPUs on the UCS B420 M3 are listed in [Table 3](#).

Table 3 Supported Intel CPUs: E5-4600 v2 and E5-4600 Series Processor Family CPUs

Product ID (PID)	Intel Number	Clock Freq (GHz)	Power (W)	Cache Size (MB)	Cores	QPI	Highest DDR3 DIMM Clock Support (MHz)
<b>Intel Xeon E5-4600 v2<sup>1</sup></b>							
UCS-CPU-E54657LB	E5-4657L v2	2.40	115	30	12	8 GT/s	1866
UCS-CPU-E54650B	E5-4650 v2	2.40	95	25	10	8 GT/s	1866
UCS-CPU-E54640	E5-4640 v2	2.20	95	20	10	8 GT/s	1866
UCS-CPU-E54627B	E5-4627 v2	3.3	130	16	8	7.2 GT/s	1866
UCS-CPU-E54620B	E5-4620 v2	2.6	95	20	8	7.2 GT/s	1600
UCS-CPU-E54610B	E5-4610 v2	2.3	95	16	8	7.2 GT/s	1600
UCS-CPU-E54607B	E5-4607 v2	2.6	95	15	6	6.4 GT/s	1333
UCS-CPU-E54603B	E5-4603 v2	2.2	95	10	4	6.4 GT/s	1333
<b>Intel Xeon E5-4600</b>							
UCS-CPU-E5-4650	E5-4650	2.70	130	20	8	8 GT/s	1600
UCS-CPU-E5-4650L	E5-4650L	2.60	115	20	8	8 GT/s	1600
UCS-CPU-E5-4640	E5-4640	2.40	95	20	8	8 GT/s	1600
UCS-CPU-E5-4620	E5-4620	2.20	95	16	8	7.2 GT/s	1333
UCS-CPU-E5-4617	E5-4617	2.90	130	15	6	7.2 GT/s	1600
UCS-CPU-E5-4610	E5-4610	2.40	95	15	6	7.2 GT/s	1333
UCS-CPU-E5-4607	E5-4607	2.20	95	12	6	6.4 GT/s	1066
UCS-CPU-E5-4603	E5-4603	2.00	95	10	4	6.4 GT/s	1066

#### Notes

1. When using E5-4600 v2 CPUs, the server must be controlled with UCS Manager (UCSM) version 2.2.

## Supported Configurations

---

### (1) Two-CPU Configuration

- Choose two identical CPUs from any one of the rows of [Table 3](#). CPUs 1 and 2 will be populated.

### (2) Four-CPU Configuration

- Choose four identical CPUs from any one of the rows of [Table 3](#).

## Notes

---

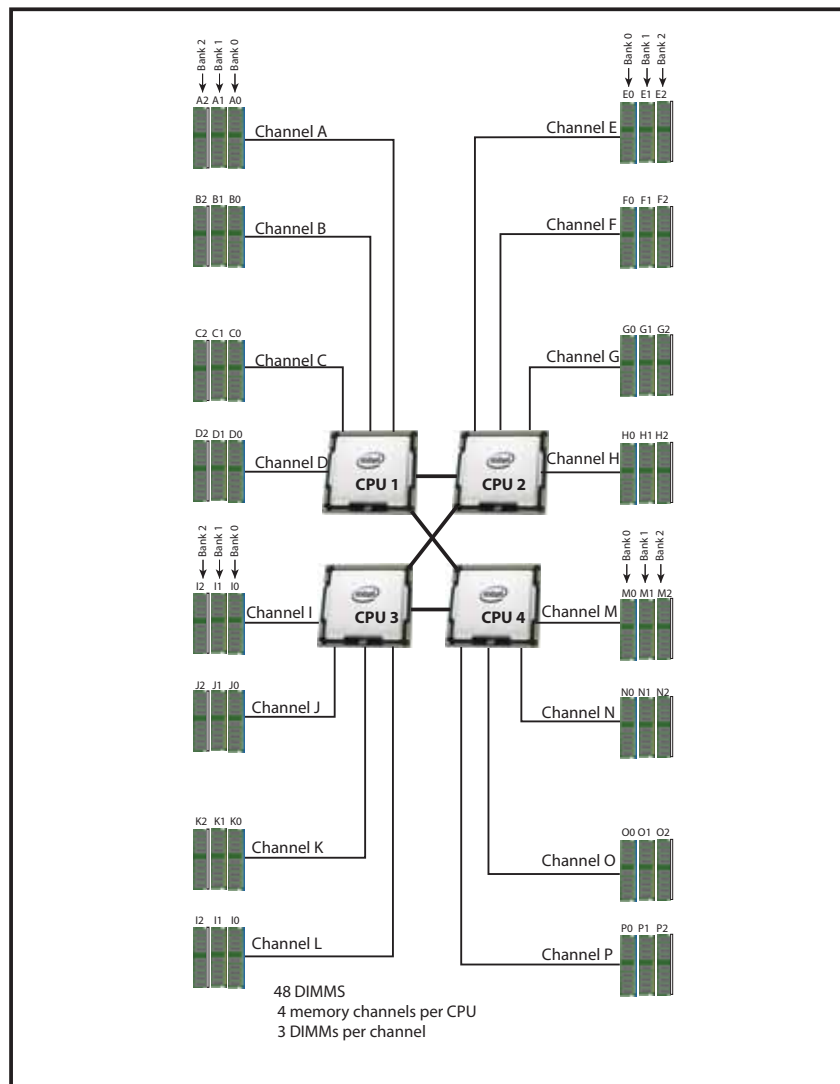
- The system will run at the lowest CPU or DIMM clock speed. For example, when using 1600-MHz DIMMs with an E5-4603 CPU (which can only support up to 1066-MHz DIMMs), the system will run at the lower speed of 1066 MHz.
- System speed is also dependent on how many DIMMs are populated per channel.
- For 2-CPU systems, only 24 DIMM slots are functional (channels A - H). See [Table 11 on page 19](#) for supported adapter combinations in 2-CPU systems.
- For 4-CPU systems, all 48 DIMM slots are functional.

## STEP 3 CHOOSE MEMORY

The standard memory features are:

- DIMMs
  - Clock speed: 1600 MHz
  - Ranks per DIMM: up to 4
  - Operational voltage: dual (1.5 or 1.35 V); default = 1.5 V
  - Registered
- DDR3 ECC registered DIMMs (RDIMMs) or load-reduced DIMMS (LRDIMMS)
- Memory is organized with four memory channels per CPU, with up to three DIMMs per channel (DPC), as shown in [Figure 3](#).

Figure 3 UCS B420 M3 Memory Organization



## Choose DIMMs and Memory Mirroring

Select the memory configuration and whether or not you want the memory mirroring option. The supported memory DIMMs and the mirroring option are listed in [Table 4](#).

When memory mirroring is enabled, the memory subsystem simultaneously writes identical data to two adjacent channels. If a memory read from one of the channels returns incorrect data due to an uncorrectable memory error, the system automatically retrieves the data from the other channel. A transient or soft error in one channel does not affect the mirrored data, and operation continues unless there is a simultaneous error in exactly the same location on a DIMM and its mirrored DIMM. Memory mirroring reduces the amount of memory available to the operating system by 50% because only one of the two populated channels provides data.

Table 4 Supported DDR3 DIMMs and Memory Mirroring Option

Product ID (PID)	PID Description	Voltage	Ranks /DIMM
<b>DIMM Options</b>			
UCS-ML-1X324RZ-A	32 GB DDR3-1866-MHz <sup>1</sup> LRDIMM/PC3-12800/4R/x4/1.35v	1.5V	4
UCS-ML-1X324RY-A	32 GB DDR3-1600-MHz LRDIMM/PC3-12800/4R/x4/1.35	1.35/1.5 V	4
UCS-MR-1X162RZ-A	16 GB DDR3-1866-MHz <sup>1</sup> RDIMM/PC3-14900/2R/x4/1.5v	1.5V	2
UCS-MR-1X162RY-A	16 GB DDR3-1600-MHz RDIMM PC3-12800/2R/x4/1.35v	1.35/1.5 V	2
UCS-MR-1X082RY-A	8GB DDR3-1600-MHz RDIMM PC3-12800/2R/x4/1.35v	1.35/1.5 V	2
<b>Memory Mirroring Option</b>			
N01-MMIRROR	Memory mirroring option		

### Notes

- 1866-MHz DIMMs are only supported with E5-4600 v2 CPUs

The DDR3 DIMMs that have been discontinued but are still supported are shown in [Table 5](#).

Table 5 Discontinued but Still Supported DDR3 DIMMs

Product ID (PID)	PID Description	Voltage	Ranks /DIMM
DIMM Options			
UCS-MR-1X041RY-A	4 GB DDR3-1600-MHz RDIMM/PC3-12800/1R/x4/1.35V	1.5/1.35 V	1
UCS-MR-1X082RZ-A	8 GB DDR3-1866-MHz RDIMM/PC3-14900/2R/x4/1.5	1.5 V	2

#### Notes

- DIMM configuration rules:
  - The minimum configuration is 1 DIMM per CPU
  - The order in which DIMMs must be installed in a channel is Bank 0 (blue socket), then Bank 1 (black socket), then Bank 2 (white socket).
  - You cannot mix DIMM capacities within a bank
  - You can mix DIMM capacities within a channel
  - When mixing different densities of 1600-MHz RDIMMs within a channel, memory will run at 1.5 V (performance mode) only.
  - You cannot mix RDIMMs with LRDIMMs
  - DIMMs default to performance mode (1.5 V). To run DIMMs in power-savings mode (1.35 V), change the server BIOS settings.
- To optimize memory performance:
  - Configure DIMMs identically for each CPU
  - Fill banks equally across the CPU. See DIMM population guidelines in [Table 25](#), [Table 26](#), and [Table 27 on page 39](#).
  - Populate less than 3 DPC
  - Select DIMMs with the highest clock speed for a given processor
- For systems implementing 3-DPC with E5-4600 series processor family CPUs:
  - Maximum memory speed for 1600-MHz DIMMs is 1333 MHz when using 16 GB DIMMs with E5-4650, E5-4640, or E5-4617 CPUs. Maximum memory speed for all other configurations is 1066 MHz.
  - Memory always runs at 1.5 V regardless if the BIOS setting is low-power mode (1.35 V) or performance mode (1.5 V)

- For systems shipping with E5-4600 v2 series processor family CPUs, DIMM speeds are as shown in [Table 6](#).

Table 6 DIMM Speeds for Systems Shipping with E5-4600 v2 Series CPUs

For Systems Shipping with E5-4600 v2 Series CPUs													
DIMM speeds	DPC	1333 Capable v2 CPU				1600 Capable v2 CPU				1866 Capable v2 CPU			
		LRDIMM		RDIMM		LRDIMM		RDIMM		LRDIMM		RDIMM	
		1.35V	1.5V	1.35V	1.5V	1.35V	1.5V	1.35V	1.5V	1.35V	1.5V	1.35V	1.5V
1600 DIMM	1DPC	1333	1333	1333	1333	1600	1600	1333	1600	1600	1600	1333	1600
	2DPC	1333	1333	1333	1333	1600	1600	1333	1600	1600	1600	1333	1600
	3DPC	1066	1066	NA	1066	1066	1066	NA	16 GB - 1333	1066	1066	NA	16 GB - 1333
8 GB - 1066									8 GB - 1066				
1866 DIMM (1.5V only)	1DPC	NA	1333	NA	1333	NA	1600	NA	1600	NA	1866	NA	1866
	2DPC	NA	1333	NA	1333	NA	1600	NA	1600	NA	1866	NA	1866
	3 DPC	NA	1066	NA	1066	NA	1066	NA	16 GB - 1333	NA	1066	NA	1333
8 GB - 1066													

For more information regarding memory, see [DIMM and CPU Layout on page 37](#).

Supported Configurations

(1) Without memory mirroring:

- Select from 1 to 12 DIMMs per CPU (note that there are 12 DIMM slots per CPU). There must be at least 1 DIMM per CPU.

(2) With memory mirroring:

- Select 4 DIMMs per CPU (installed in bank 0), 8 DIMMs per CPU (installed in banks 0, 1), or 12 DIMMs per CPU (installed in banks 0, 1, 2).

## STEP 4 CHOOSE DISK DRIVES (OPTIONAL)

The UCS B420 M3 can be ordered with or without drives. The B420 M3 provides:

- Four hot plug 2.5" SFF drive bays
- An embedded LSI 2208R RAID controller to provide RAID 0/1/5/10.



NOTE: The UCS B420 M3 blade server meets the external storage target and switch certifications as described in the following link:

<http://www.cisco.com/en/US/docs/switches/datacenter/mds9000/interoperability/matrix/Matrix8.html#wp323852>

### Choose Drives

The supported drives in the UCS B420 M3 are listed in [Table 7](#).



NOTE: 4K format drives are not qualified or supported at this time with B-series UCS servers.

Table 7 Supported Hot Plug Drives

Product ID (PID)	PID Description	Drive Type	Capacity
<b>HDDs</b>			
UCS-HD300G15K12G	300 GB 12G SAS 15K RPM SFF HDD	SAS	300 GB
UCS-HD450G15K12G	450 GB 12G SAS 15K RPM SFF HDD	SAS	450 GB
UCS-HD600G15K12G	600 GB 12G SAS 15K RPM SFF HDD	SAS	600 GB
<b>SSDs</b>			
UCS-SD800G12S4-EP	800 GB 2.5 inch Enterprise Performance 12G SAS SSD (10X endurance)	SAS	800 GB
UCS-SD400G12S4-EP	400 GB 2.5 inch Enterprise Performance 12G SAS SSD (10X endurance)	SAS	400 GB
UCS-SD800G0KS2-EP	800 GB SAS 2.5" Enterprise Performance SSD (Samsung 1625)	SAS	800 GB
UCS-SD400G0KS2-EP	400 GB SAS 2.5" Enterprise Performance SSD (Samsung 1625)	SAS	400 GB
UCS-SD400G0KA2-G	400 GB SATA 2.5" Enterprise Value SSD	SATA	400 GB
UCS-SD240GBKS4-EV	240 GB 2.5 inch Enterprise Value 6G SATA SSD	SATA	240 GB
UCS-SD100G0KA2-G	100 GB SATA 2.5" Enterprise Value SSD	SATA	100 GB

### Supported Configurations

- Select 1, 2, 3, or 4 of the drives listed in [Table 7](#).

## Notes

---

- When creating a RAID volume, mixing different capacity drives causes the system to use the lowest-capacity drive.
- Mixing of drive types is supported, but performance may be impacted. RAID volumes should use the same media type.



## STEP 5 CHOOSE ADAPTERS

The adapter offerings are:

- Cisco Virtual Interface Cards (VICs)

Cisco-developed Virtual Interface Cards (VICs) provide flexibility to create multiple NIC and HBA devices. The VICs also support UCS Fabric Extender technologies.

- Converged Network Adapters (CNAs)

Emulex and QLogic Converged Network Adapters (CNAs) consolidate Ethernet and Storage (FC) traffic on the Cisco Unified Fabric.

- Cisco UCS Storage Accelerator Adapters

Cisco UCS Storage Accelerator adapters are designed specifically for the Cisco UCS B-series M3 blade servers and integrate seamlessly to allow improvement in performance and relief of I/O bottlenecks.

*Table 8* shows supported adapter slot configurations.

You must install at least one adapter in one of the three adapter slots. Also see *Network Connectivity on page 42* for more information.

To help ensure that your operating system is compatible with the cards you have selected, please check the Hardware Compatibility List at this URL:

[http://www.cisco.com/en/US/products/ps10477/prod\\_technical\\_reference\\_list.html](http://www.cisco.com/en/US/products/ps10477/prod_technical_reference_list.html)

### Choose an Adapter

---

The supported adapters are listed in *Table 8*.

Table 8 Supported Adapters

Product ID (PID)	PID Description
<b>Virtual Interface Cards (VICs)</b>	
UCSB-MLOM-40G-01	Cisco UCS VIC 1240 modular LOM for blade servers. Installed in adapter slot 1 only.
UCSB-MLOM-40G-03	Cisco UCS VIC 1340 modular LOM for blade servers. Installed in adapter slot 1 only.
UCSB-MLOM-PT-01	Cisco UCS Port Expander. Enables an additional dual 2x10 Gb for the VIC 1340 and 1240, installed in adapter slot 2 only.
UCS-VIC-M82-8P	Cisco UCS VIC 1280 mezzanine adapter for blade servers.
UCSB-VIC-M83-8P	Cisco UCS VIC 1380 mezzanine adapter for blade servers
<b>Converged Network Adapter (CNAs)</b>	
UCSB-MEZ-QLG-03	Cisco UCS CNA M73KR-Q QLogic Adapter (dual-port 10 Gb)
UCSB-MEZ-ELX-03	Cisco UCS CNA M73KR-E Emulex (dual-port 10 Gb)

Table 8 Supported Adapters (*continued*)

Product ID (PID)	PID Description
Cisco UCS Storage Accelerators <sup>1</sup>	
UCSB-F-FIO-1600MS	UCS 1600 GB Fusion ioMemory3 SX Scale line for B-Series
UCSB-F-FIO-1300MP	UCS 1300 GB Fusion ioMemory3 PX Performance line for B-Series
UCSB-F-FIO-785M	Cisco UCS 785 GB MLC Fusion ioDrive2
UCSB-F-FIO-365M	Cisco UCS 365 GB MLC Fusion ioDrive2
UCSB-F-LSI-400S	LSI 400 GB SLC WarpDrive

Notes

- Do not mix Fusion io storage accelerator families. That is, do not mix “MP” or “MS” (ioMemory3) with “M” (ioDrive2) family cards.

“Adapter 1,” “Adapter 2,” and “Adapter 3” refer to the UCSM naming convention for the adapter slots (this document uses the UCSM naming convention). In the server BIOS and on the motherboard, the corresponding slots are labeled as “mLOM,” “Mezz 1,” and “Mezz 2,” respectively. See [Table 9](#).

Table 9 Adapter Slot Naming

Server BIOS and Motherboard Slot Naming	UCSM Slot Naming
mLOM (VIC 1240 only)	Adapter 1
Mezz1	Adapter 2
Mezz2	Adapter 3

Supported Configurations

(1) 4-CPU System Configuration

- Select an adapter combination in accordance with [Table 10](#).

Table 10 Supported Adapter<sup>1</sup> Combinations (4-CPU Configuration)

Adapter Slot 1	Adapter Slot 2	Adapter Slot 3	Total Available Bandwidth		
			2 x 2208 XP	2 x 2204 XP	2 x 2104 XP
VIC 1240	Not populated	Not populated	40 Gb <a href="#">Figure 11 on page 46</a>	20 Gb <a href="#">Figure 23 on page 55</a>	20 Gb <a href="#">Figure 35 on page 64</a>
VIC 1240	Not populated	VIC 1280	120 Gb <a href="#">Figure 12 on page 46</a>	60 Gb <a href="#">Figure 24 on page 55</a>	40 Gb <a href="#">Figure 36 on page 64</a>
Not populated	Not populated	VIC 1280	80 Gb <a href="#">Figure 13 on page 47</a>	40 Gb <a href="#">Figure 25 on page 56</a>	20 Gb <a href="#">Figure 37 on page 65</a>
VIC 1240	Not populated	Emulex or QLogic adapter	60 Gb <a href="#">Figure 14 on page 47</a>	40 Gb <a href="#">Figure 26 on page 56</a>	40 Gb <a href="#">Figure 38 on page 65</a>

Table 10 Supported Adapter<sup>1</sup> Combinations (4-CPU Configuration) (continued)

Adapter Slot 1	Adapter Slot 2	Adapter Slot 3	Total Available Bandwidth		
VIC 1240	Port Expander Card	Not populated	80 Gb <i>Figure 15 on page 48</i>	40 Gb <i>Figure 27 on page 57</i>	Network I/O not supported <sup>2</sup>
Not populated	Not populated	Emulex or QLogic adapter	20 Gb <i>Figure 16 on page 49</i>	20 Gb <i>Figure 28 on page 57</i>	20 Gb <i>Figure 39 on page 66</i>
Not populated	Emulex or QLogic adapter	Emulex or QLogic adapter	40 Gb <i>Figure 17 on page 49</i>	40 Gb <i>Figure 29 on page 58</i>	Network I/O not supported <sup>2</sup>
VIC 1240	Port Expander Card	VIC 1280	160 Gb <i>Figure 18 on page 50</i>	80 Gb <i>Figure 30 on page 59</i>	Network I/O not supported <sup>2</sup>
VIC 1240	Not populated	Cisco UCS Storage Accelerator <sup>3</sup>	40 Gb <i>Figure 19 on page 51</i>	20 Gb <i>Figure 31 on page 60</i>	20 Gb <i>Figure 40 on page 66</i>
VIC 1240	Cisco UCS Storage Accelerator <sup>3</sup>	Cisco UCS Storage Accelerator <sup>3</sup>	40 Gb <i>Figure 20 on page 51</i>	20 Gb <i>Figure 32 on page 60</i>	20 Gb <i>Figure 41 on page 67</i>
Not populated	Cisco UCS Storage Accelerator	VIC 1280	80 Gb <i>Figure 21 on page 52</i>	40 Gb <i>Figure 33 on page 61</i>	20 Gb <i>Figure 42 on page 67</i>
VIC 1240	Cisco UCS Storage Accelerator	VIC 1280	120 Gb <i>Figure 22 on page 53</i>	60 Gb <i>Figure 34 on page 62</i>	40 Gb <i>Figure 43 on page 68</i>

## Notes

1. In the server BIOS and on the motherboard, “Adapter 1,” “Adapter 2,” and “Adapter 3” are labeled as “mLOM,” “Mezz 1,” and “Mezz 2,” respectively
2. The 2104XP fabric extender is not compatible with any network I/O card installed in adapter slot 2. However, a Cisco UCS Storage Accelerator may be installed in adapter slot 3 if it is available.
3. This combination requires that both Storage Accelerators be identical.

## (1) 2-CPU System Configuration

- Select an adapter combination in accordance with [Table 11](#).

Table 11 Supported Adapter<sup>1</sup> Combinations (2-CPU Configuration)

Adapter Slot 1	Adapter Slot 2 <sup>2</sup>	Adapter Slot 3	Total Available Bandwidth		
			2 x 2208XP	2 x 2204 XP	2 x 2104 XP
VIC 1240	Not populated	Not populated	40 Gb <i>Figure 11 on page 46</i>	20 Gb <i>Figure 23 on page 55</i>	20 Gb <i>Figure 35 on page 64</i>
VIC 1240	Not populated	VIC 1280	120 Gb <i>Figure 12 on page 46</i>	60 Gb <i>Figure 24 on page 55</i>	40 Gb <i>Figure 36 on page 64</i>
VIC 1240	Not populated	Emulex or QLogic adapter	60 Gb <i>Figure 14 on page 47</i>	40 Gb <i>Figure 26 on page 56</i>	40 Gb <i>Figure 38 on page 65</i>

Table 11 Supported Adapter<sup>1</sup> Combinations (2-CPU Configuration) (*continued*)

Adapter Slot 1	Adapter Slot 2 <sup>2</sup>	Adapter Slot 3	Total Available Bandwidth		
VIC 1240	Port Expander Card	Not populated	80 Gb <i>Figure 15 on page 48</i>	40 Gb <i>Figure 27 on page 57</i>	Network I/O not supported <sup>3</sup>
Not populated	Not populated	Emulex or QLogic adapter	20 Gb <i>Figure 16 on page 49</i>	20 Gb <i>Figure 28 on page 57</i>	20 Gb <i>Figure 39 on page 66</i>
VIC 1240	Port Expander Card	VIC 1280	160 Gb <i>Figure 18 on page 50</i>	80 Gb <i>Figure 30 on page 59</i>	Network I/O not supported <sup>3</sup>
VIC 1240	Not populated	Cisco UCS Storage Accelerator	40 Gb <i>Figure 19 on page 51</i>	20 Gb <i>Figure 31 on page 60</i>	20 Gb <i>Figure 40 on page 66</i>

Notes

1. In the server BIOS and on the motherboard, “Adapter 1,” “Adapter 2,” and “Adapter 3” are labeled as “mLOM,” “Mezz 1,” and “Mezz 2,” respectively
2. Only the Port Expander is functional in adapter slot 2 in 2-CPU configurations
3. The 2104XP fabric extender is not compatible with any network I/O card installed in adapter slot 2.

## STEP 6 ORDER A TRUSTED PLATFORM MODULE (OPTIONAL)

Trusted Platform Module (TPM) is a computer chip (microcontroller) that can securely store artifacts used to authenticate the platform (server). These artifacts can include passwords, certificates, or encryption keys. A TPM can also be used to store platform measurements that help ensure that the platform remains trustworthy. Authentication (ensuring that the platform can prove that it is what it claims to be) and attestation (a process helping to prove that a platform is trustworthy and has not been breached) are necessary steps to ensure safer computing in all environments.

The TPM ordering information is listed in [Table 12](#).

Table 12 Trusted Platform Module

Product ID (PID)	PID Description
UCSX-TPM1-001	Trusted Platform Module for UCS



NOTE: The module used in this server conforms to TPM v1.2/1.3, as defined by the Trusted Computing Group (TCG).

## STEP 7 ORDER CISCO FLEXIBLE FLASH SECURE DIGITAL CARDS

Dual SDHC flash card sockets are provided on the front left side of the server. Mirroring of two SDHC cards is supported with UCS Manager 2.2x and later.

The SDHC card ordering information is listed in [Table 13](#).

Table 13 Supported Configurations - Secure Digital Card(s)

Product ID (PID)	PID Description
UCS-SD-32G-S	32 GB SD Card for UCS servers

### Supported Configurations

---

- (1) Select one or two Cisco Flexible Flash secure digital cards

## STEP 8 ORDER INTERNAL USB 2.0 DRIVE (OPTIONAL)

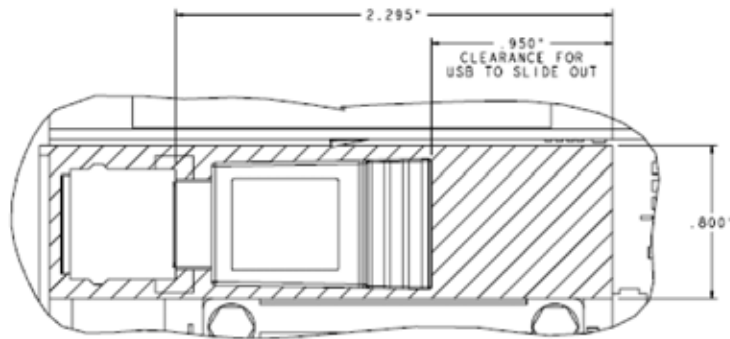
You may order one optional internal USB 2.0 drive. The USB drive ordering information is listed in [Table 14](#).

Table 14 USB 2.0 Drive

Product ID (PID)	PID Description
UCS-USBFLSH-S-4GB	4GB Flash USB Drive (shorter length) for all M3 servers



**NOTE:** A clearance of 0.950 inches (24.1 mm) is required for the USB device to be inserted and removed (see the following figure).



See [Figure 5 on page 35](#) for the location of the USB connector.



**NOTE:** When the Cisco 4GB USB key is purchased with a server, it is pre-installed into the internal USB port and held firmly in place with a clip to protect it from shock and vibration during shipment and transportation. This clip also prevents the USB key from undergoing shock and vibration during ongoing customer operational use.

## STEP 9 ORDER FLASH-BACKED WRITE CACHE (OPTIONAL)

You may order an optional 1 GB flash-backed write cache, which backs up the data written to the RAID controller write cache in the event of a power failure. The flash-backed write cache consists of a 1 GB memory module and a supercapacitor power backup module that connects to the motherboard with a cable. The ordering information is shown in [Table 15](#).

Table 15 Flash-backed Write Cache

Product ID (PID)	PID Description
UCSB-FBWC-1GB	Flash-backed write cache for LSI 2208R RAID controller
UCSB-FBWC-SC	Supercap for LSI 2208R FBWC
UCSB-RAID-1GBFM	1GB flash module for LSI 2208R

The flash-backed write cache provides RAID controller cache protection using NAND flash memory and a supercapacitor. In the event of a power or server failure, cached data is automatically transferred from the RAID controller DRAM write cache to flash. Once power is restored, the data in the NAND flash is copied back into the DRAM write cache until it can be flushed to the disk drives.

For the location of the supercap and the 1 GB memory module, see [Figure 5 on page 35](#).



## STEP 10 CHOOSE OPERATING SYSTEM AND VALUE-ADDED SOFTWARE

Several software programs are available. Select as desired from [Table 16](#).

Table 16 OSs and Value-Added Software

PID Description	Product ID (PID)
Cisco One	
C1F2PUCSK9	Cisco ONE Foundation Perpetual UCS
C1A1PUCSK9	Cisco ONE Enterprise Cloud Perpetual UCS
C1UCS-OPT-OUT	Cisco One Data Center Compute Opt Out Option
Energy Management (JouleX)	
CEM-DC-ENERGY	Cisco Energy Management(JouleX) DataCenter License 1 Device More
UCS Director	
CUIC-PHY-SERV-BM-U	Cisco UCS Director Resource Lic - 1 Phy Sevr node bare metal
CUIC-PHY-SERV-U	Cisco UCS Director Resource Lic - One physical Server node
CUIC-TERM	Acceptance of Cisco UCS Director License Terms
UCS Performance Manager	
UCS-PM-IE	UCS Performance Manager
UCS-PM-EE	UCS Performance Manager Express
EVAL-UCS-PM-IE	UCS Performance Manager - 90 days evaluation
EVAL-UCS-PM-EE	UCS Performance Manager Express - 90 days evaluation
Nexus 1000V for Hyper-V and vSphere	
N1K-VSG-UCS-BUN	Nexus 1000V Adv Edition for vSphere Paper License Qty 1
IMC Supervisor	
CIMC-SUP-B10	IMC Supervisor- Branch Mgt SW for C & E-Series up to 1K Svrs
CIMC-SUP-B02	IMC Supervisor- Branch Mgt SW for C & E-Series up to 250 Svrs
UCS Multi-Domain Manager	
UCS-MDMGR-100S	UCS Multi-Domain Manager (Central) Per Server License (100+)
UCS-MDMGR-50S	UCS Multi-Domain Manager (Central) Per Server License (50+)
UCS-MDMGR-1S	UCS Multi-Domain Manager (Central) Per Server License
UCS-MDMGR-10S	UCS Multi-Domain Manager (Central) Per Server License (10+)
UCS-MDMGR-1DMN	UCS Multi-Domain Manager (Central) Per Domain License
VMware vCenter	
VMW-VCS-STD-1A	VMware vCenter 6 Server Standard, 1 yr support required
VMW-VCS-STD-3A	VMware vCenter 6 Server Standard, 3 yr support required
VMW-VCS-STD-5A	VMware vCenter 6 Server Standard, 5 yr support required
VMW-VCS-FND-1A	VMware vCenter 6 Server Foundation (3 Host), 1 yr supp reqd
VMW-VCS-FND-3A	VMware vCenter 6 Server Foundation (3 Host), 3 yr supp reqd
VMW-VCS-FND-5A	VMware vCenter 6 Server Foundation (3 Host), 5 yr supp reqd

Table 16 OSs and Value-Added Software (continued)

PID Description	Product ID (PID)
<b>Microsoft Windows Server</b>	
MSWS-12-ST2S	Windows Server 2012 Standard (2 CPU/2 VMs)
MSWS-12-DC2S	Windows Server 2012 Datacenter (2 CPU/Unlimited VMs)
MSWS-12-ST2S-NS	Windows Server 2012 Standard (2 CPU/2 VMs) No Cisco Svc
MSWS-12-DC2S-NS	Windows Server 2012 Datacenter (2 CPU/Unlim VM) No Cisco Svc
MSWS-12R2-ST2S	Windows Server 2012 R2 Standard (2 CPU/2 VMs)
MSWS-12R2-DC2S	Windows Server 2012 R2 Datacenter (2 CPU/Unlimited VMs)
MSWS-12R2-ST2S-NS	Windows Server 2012 R2 Standard (2 CPU/2 VMs) No Cisco SVC
MSWS-12R2-DC2S-NS	Windows Server 2012 R2 Datacen (2 CPU/Unlim VM) No Cisco Svc
<b>Red Hat</b>	
RHEL-2S2V-3A	Red Hat Enterprise Linux (1-2 CPU,1-2 VN); 3-Yr Support Req
RHEL-2S2V-1A	Red Hat Enterprise Linux (1-2 CPU,1-2 VN); 1-Yr Support Req
<b>VMware</b>	
VMW-VSP-EPL-5A	VMware vSphere 6 Ent Plus (1 CPU), 5-yr, Support Required
VMW-VSP-STD-1A	VMware vSphere 6 Standard (1 CPU), 1-yr, Support Required
VMW-VSP-STD-3A	VMware vSphere 6 Standard (1 CPU), 3-yr, Support Required
VMW-VSP-EPL-3A	VMware vSphere 6 Ent Plus (1 CPU), 3-yr, Support Required
VMW-VSP-EPL-1A	VMware vSphere 6 Ent Plus (1 CPU), 1-yr, Support Required
VMW-VSP-STD-5A	VMware vSphere 6 Standard (1 CPU), 5-yr, Support Required
<b>SLES SAP</b>	
SLES-SAP-2S2V-1S	SLES for SAP Apps (1-2 CPU, 1-2 VM); Priority 1-Yr SnS
SLES-SAP-2SUV-1S	SLES for SAP Apps (1-2 CPU, Unl VM); Priority 1-Yr SnS
SLES-SAP-2S2V-3S	SLES for SAP Apps (1-2 CPU, 1-2 VM); Priority 3-Yr SnS
SLES-SAP-2SUV-3S	SLES for SAP Apps (1-2 CPU, Unl VM); Priority 3-Yr SnS
SLES-SAP-2S2V-5S	SLES for SAP Apps (1-2 CPU, 1-2 VM); Priority 5-Yr SnS
SLES-SAP-2SUV-5S	SLES for SAP Apps (1-2 CPU, Unl VM); Priority 5-Yr SnS
SLES-SAP-2S2V-5A	SLES for SAP Apps (1-2 CPU, 1-2 VM); 5-Yr Support Reqd
SLES-SAP-2SUV-3A	SLES for SAP Apps (1-2 CPU, Unl VM); 3-Yr Support Reqd
SLES-SAP-2S2V-3A	SLES for SAP Apps (1-2 CPU, 1-2 VM); 3-Yr Support Reqd
SLES-SAP-2SUV-5A	SLES for SAP Apps (1-2 CPU, Unl VM); 5-Yr Support Reqd
SLES-SAP-2S2V-1A	SLES for SAP Apps (1-2 CPU, 1-2 VM); 1-Yr Support Reqd
SLES-SAP-2SUV-1A	SLES for SAP Apps (1-2 CPU, Unl VM); 1-Yr Support Reqd
<b>SUSE</b>	
SLES-2S2V-1A	SUSE Linux Enterprise Svr (1-2 CPU,1-2 VM); 1-Yr Support Req
SLES-2SUV-1A	SUSE Linux Enterprise Svr (1-2 CPU,Unl VM); 1-Yr Support Req
SLES-2S2V-3A	SUSE Linux Enterprise Svr (1-2 CPU,1-2 VM); 3-Yr Support Req
SLES-2SUV-3A	SUSE Linux Enterprise Svr (1-2 CPU,Unl VM); 3-Yr Support Req

Table 16 OSs and Value-Added Software (continued)

PID Description	Product ID (PID)
SLES-2S2V-5A	SUSE Linux Enterprise Svr (1-2 CPU,1-2 VM); 5-Yr Support Req
SLES-2SUV-5A	SUSE Linux Enterprise Svr (1-2 CPU,Unl VM); 5-Yr Support Req
SLES-2S2V-1S	SUSE Linux Enterprise Svr (1-2 CPU,1-2 VM); Prio 1-Yr SnS
SLES-2SUV-1S	SUSE Linux Enterprise Svr (1-2 CPU,Unl VM); Prio 1-Yr SnS
SLES-2S2V-3S	SUSE Linux Enterprise Svr (1-2 CPU,1-2 VM); Prio 3-Yr SnS
SLES-2SUV-3S	SUSE Linux Enterprise Svr (1-2 CPU,Unl VM); Prio 3-Yr SnS
SLES-2S2V-5S	SUSE Linux Enterprise Svr (1-2 CPU,1-2 VM); Prio 5-Yr SnS
SLES-2SUV-5S	SUSE Linux Enterprise Svr (1-2 CPU,Unl VM); Prio 5-Yr SnS
SLES-2S-HA-1S	SUSE Linux High Availability Ext (1-2 CPU); 1yr SnS
SLES-2S-HA-3S	SUSE Linux High Availability Ext (1-2 CPU); 3yr SnS
SLES-2S-HA-5S	SUSE Linux High Availability Ext (1-2 CPU); 5yr SnS
SLES-2S-GC-1S	SUSE Linux GEO Clustering for HA (1-2 CPU); 1yr Sns
SLES-2S-GC-3S	SUSE Linux GEO Clustering for HA (1-2 CPU); 3yr SnS
SLES-2S-GC-5S	SUSE Linux GEO Clustering for HA (1-2 CPU); 5yr SnS

## STEP 11 CHOOSE OPERATING SYSTEM MEDIA KIT (OPTIONAL)

Choose the optional operating system media listed in [Table 17](#).

Table 17 OS Media

Product ID (PID)	PID Description
RHEL-6	RHEL 6 Recovery Media Only (Multilingual)
SLES-11	SLES 11 media only (multilingual)
MSWS-12-ST2S-RM	Windows Server 2012 Standard (2 CPU/2 VMs) Recovery Media
MSWS-12-DC2S-RM	Windows Server 2012 Datacenter (2 CPU/Unlimited VM) Rec Media
MSWS-12R2-ST2S-RM	Windows Server 2012 R2 Standard (2 CPU/2 VMs) Recovery Media
MSWS-12R2-DC2S-RM	Windows Server 2012 R2 Datacen(2 CPU/Unlimited VM) Rec Media

## STEP 12 CHOOSE SERVICE and SUPPORT LEVEL

A variety of service options are available, as described in this section.

### Unified Computing Warranty, No Contract

If you have noncritical implementations and choose to have no service contract, the following coverage is supplied:

- Three-year parts coverage.
- Next business day (NBD) onsite parts replacement eight hours a day, five days a week.
- 90-day software warranty on media.
- Ongoing downloads of BIOS, drivers, and firmware updates.
- UCSM updates for systems with Unified Computing System Manager. These updates include minor enhancements and bug fixes that are designed to maintain the compliance of UCSM with published specifications, release notes, and industry standards.

### SMARTnet for UCS

For support of the entire Unified Computing System, Cisco offers the Cisco SMARTnet for UCS Service. This service provides expert software and hardware support to help sustain performance and high availability of the unified computing environment. Access to Cisco Technical Assistance Center (TAC) is provided around the clock, from anywhere in the world.

For UCS blade servers, there is Smart Call Home, which provides proactive, embedded diagnostics and real-time alerts. For systems that include Unified Computing System Manager, the support service includes downloads of UCSM upgrades. The Cisco SMARTnet for UCS Service includes flexible hardware replacement options, including replacement in as little as two hours. There is also access to Cisco's extensive online technical resources to help maintain optimal efficiency and uptime of the unified computing environment. You can choose a desired service listed in [Table 18](#).

Table 18 Cisco SMARTnet for UCS Service

Product ID (PID)	On Site?	Description
CON-PREM-B420M3	Yes	ONSITE 24X7X2 UCS B420 M3 Blade Server
CON-OSP-B420M3	Yes	ONSITE 24X7X4 UCS B420 M3 Blade Server
CON-OSE-B420M3	Yes	ONSITE 8X5X4 UCS B420 M3 Blade Server
CON-OS-B420M3	Yes	ONSITE 8X5XNBD UCS B420 M3 Blade Server
CON-S2P-B420M3	No	SMARTNET 24X7X2 UCS B420 M3 Blade Server
CON-SNTP-B420M3	No	SMARTNET 24X7X4 UCS B420 M3 Blade Server
CON-SNTE-B420M3	No	SMARTNET 8X5X4 UCS B420 M3 Blade Server
CON-SNT-B420M3	No	SMARTNET 8X5XNBD UCS B420 M3 Blade Server

### SMARTnet for UCS Hardware Only Service

For faster parts replacement than is provided with the standard Cisco Unified Computing System warranty, Cisco offers the Cisco SMARTnet for UCS Hardware Only Service. You can choose from two levels of advanced onsite parts replacement coverage in as little as four hours. SMARTnet for UCS Hardware Only Service provides remote access any time to Cisco support professionals who can determine if a return materials authorization (RMA) is required. You can choose a service listed in [Table 19](#).

Table 19 SMARTnet for UCS Hardware Only Service

Product ID (PID)	Service Level GSP	On Site?	Description
CON-UCW7-B420M3	UCW7	Yes	UC PLUS 24X7X40S UCS B420 M3 Blade Server
CON-UCW5-B420M3	UCW5	Yes	UC PLUS 8X5XNBDOS UCS B420 M3 Blade Server

### Unified Computing Partner Support Service

Cisco Partner Support Service (PSS) is a Cisco Collaborative Services service offering that is designed for partners to deliver their own branded support and managed services to enterprise customers. Cisco PSS provides partners with access to Cisco's support infrastructure and assets to help them:

- Expand their service portfolios to support the most complex network environments
- Lower delivery costs
- Deliver services that increase customer loyalty

Partner Unified Computing Support Options enable eligible Cisco partners to develop and consistently deliver high-value technical support that capitalizes on Cisco intellectual assets. This helps partners to realize higher margins and expand their practice.

PSS is available to all Cisco PSS partners, but requires additional specializations and requirements. For additional information, see the following URL:

[www.cisco.com/go/partnerucssupport](http://www.cisco.com/go/partnerucssupport)

The two Partner Unified Computing Support Options include:

- Partner Support Service for UCS
- Partner Support Service for UCS Hardware Only

Partner Support Service for UCS provides hardware and software support, including triage support for third party software, backed by Cisco technical resources and level three support. See [Table 20](#).

Table 20 Partner Support Service for UCS

Product ID (PID)	Service Level GSP	On Site?	Description
CON-PSJ1-B420M3	PSJ1	No	UCS SUPP PSS 8X5XNBD UCS B420 M3 Blade Server
CON-PSJ2-B420M3	PSJ2	No	UCS SUPP PSS 8X5X4 UCS B420 M3 Blade Server
CON-PSJ3-B420M3	PSJ3	No	UCS SUPP PSS 24X7X4 UCS B420 M3 Blade Server
CON-PSJ4-B420M3	PSJ4	No	UCS SUPP PSS 24X7X2 UCS B420 M3 Blade Server

Partner Support Service for UCS Hardware Only provides customers with replacement parts in as little as two hours. See [Table 21](#).

Table 21 Partner Support Service for UCS (Hardware Only)

Product ID (PID)	Service Level GSP	On Site?	Description
CON-PSW2-B420M3	PSW2	No	UCS W PL PSS 8X5X4 UCS B420 M3 Blade Server
CON-PSW3-B420M3	PSW3	No	UCS W PL PSS 24X7X4 UCS B420 M3 Blade Server
CON-PSW4-B420M3	PSW4	No	UCS W PL PSS 24X7X2 UCS B420 M3 Blade Server

### Unified Computing Combined Support Service

Combined Services makes it easier to purchase and manage required services under one contract. SMARTnet services for UCS help increase the availability of your vital data center infrastructure and realize the most value from your unified computing investment. The more benefits you realize from the Cisco Unified Computing System (Cisco UCS), the more important the technology becomes to your business. These services allow you to:

- Optimize the uptime, performance, and efficiency of your UCS
- Protect your vital business applications by rapidly identifying and addressing issues
- Strengthen in-house expertise through knowledge transfer and mentoring
- Improve operational efficiency by allowing UCS experts to augment your internal staff resources
- Enhance business agility by diagnosing potential issues before they affect your operations

You can choose a service listed in [Table 22](#).

Table 22 UCS Computing Combined Support Service

Product ID (PID)	Service Level GSP	On Site?	Description
CON-NCF2-B420M3	NCF2	No	CMB SPT SVC 24X7X2 UCS B420 M3 Blade Server
CON-NCF2P-B420M3	NCF2P	Yes	CMB SPT SVC 24X7X2OS UCS B420 M3 Blade Server
CON-NCF4P-B420M3	NCF4P	Yes	CMB SPT SVC 24X7X4OS UCS B420 M3 Blade Server
CON-NCF4S-B420M3	NCF4S	Yes	CMB SPT SVC 8X5X4OS UCS B420 M3 Blade Server
CON-NCFCS-B420M3	NCFCS	Yes	CMB SPT SVC 8X5XNBDOS UCS B420 M3 Blade Server
CON-NCFE-B420M3	NCFE	No	CMB SPT SVC 8X5X4 UCS B420 M3 Blade Server
CON-NCFP-B420M3	NCFP	No	CMB SPT SVC 24X7X4 UCS B420 M3 Blade Server
CON-NCFT-B420M3	NCFT	No	CMB SPT SVC 8X5XNBD UCS B420 M3 Blade Server

**Unified Computing Drive Retention Service**

With the Cisco Unified Computing Drive Retention (UCDR) Service, you can obtain a new disk drive in exchange for a faulty drive without returning the faulty drive. In exchange for a Cisco replacement drive, you provide a signed Certificate of Destruction (CoD) confirming that the drive has been removed from the system listed, is no longer in service, and has been destroyed.

Sophisticated data recovery techniques have made classified, proprietary, and confidential information vulnerable, even on malfunctioning disk drives. The UCDR service enables you to retain your drives and ensures that the sensitive data on those drives is not compromised, which reduces the risk of any potential liabilities. This service also enables you to comply with regulatory, local, and federal requirements.

If your company has a need to control confidential, classified, sensitive, or proprietary data, you might want to consider one of the Drive Retention Services listed in [Table 23](#).



**NOTE:** Cisco does not offer a certified drive destruction service as part of this service.



Table 23 Drive Retention Service Options

Service Description	Service Program Name	Service Level GSP	Service Level	Product ID (PID)
SMARTnet for UCS Service with Drive Retention	UCS DR	UCSD7	24x7x4 Onsite	CON-UCSD7-B420M3
		UCSD7	8x5xNBD Onsite	CON-UCSD5-B420M3
SMARTnet for UCS HW ONLY+Drive Retention	UCS HW+DR	UCWD7	24x7x4 Onsite	CON-UCWD7-B420M3
		UCWD5	8x5xNBD Onsite	CON-UCWD5-B420M3

For more service and support information, see the following URL:

[http://www.cisco.com/en/US/services/ps2961/ps10312/Unified\\_Computing\\_Services\\_Overview.pdf](http://www.cisco.com/en/US/services/ps2961/ps10312/Unified_Computing_Services_Overview.pdf)

For a complete listing of available services for Cisco Unified Computing System, see this URL:

[http://www.cisco.com/en/US/products/ps10312/serv\\_group\\_home.html](http://www.cisco.com/en/US/products/ps10312/serv_group_home.html)

### STEP 13 CHOOSE LOCAL KVM I/O CABLE\* (OPTIONAL)

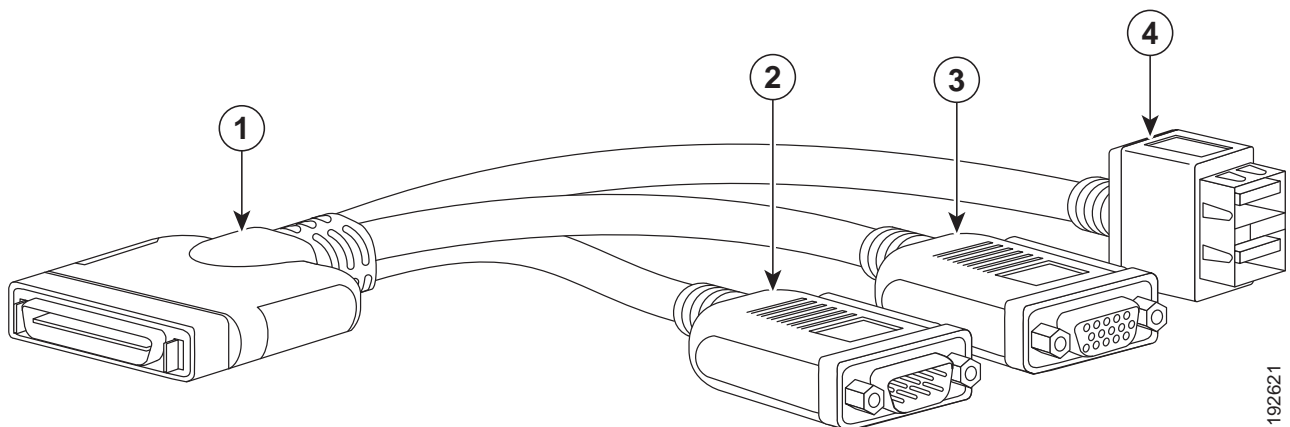
The local KVM I/O cable ships with every UCS 5100 Series blade chassis accessory kit. The cable provides a connection into the server, providing a DB9 serial connector, a VGA connector for a monitor, and dual USB ports for a keyboard and mouse. With this cable, you can create a direct connection to the operating system and the BIOS running on the server.

The local KVM I/O cable ordering information is listed in *Table 24*.

Table 24 Local KVM I/O Cable

Product ID (PID)	PID Description
N20-BKVM=	Local KVM I/O cable for UCS servers console port

Figure 4 Local KVM I/O Cable



1	Connector (to server front panel)	3	VGA connector (for a monitor)
2	DB-9 serial connector	4	Two-port USB connector (for a mouse and keyboard)



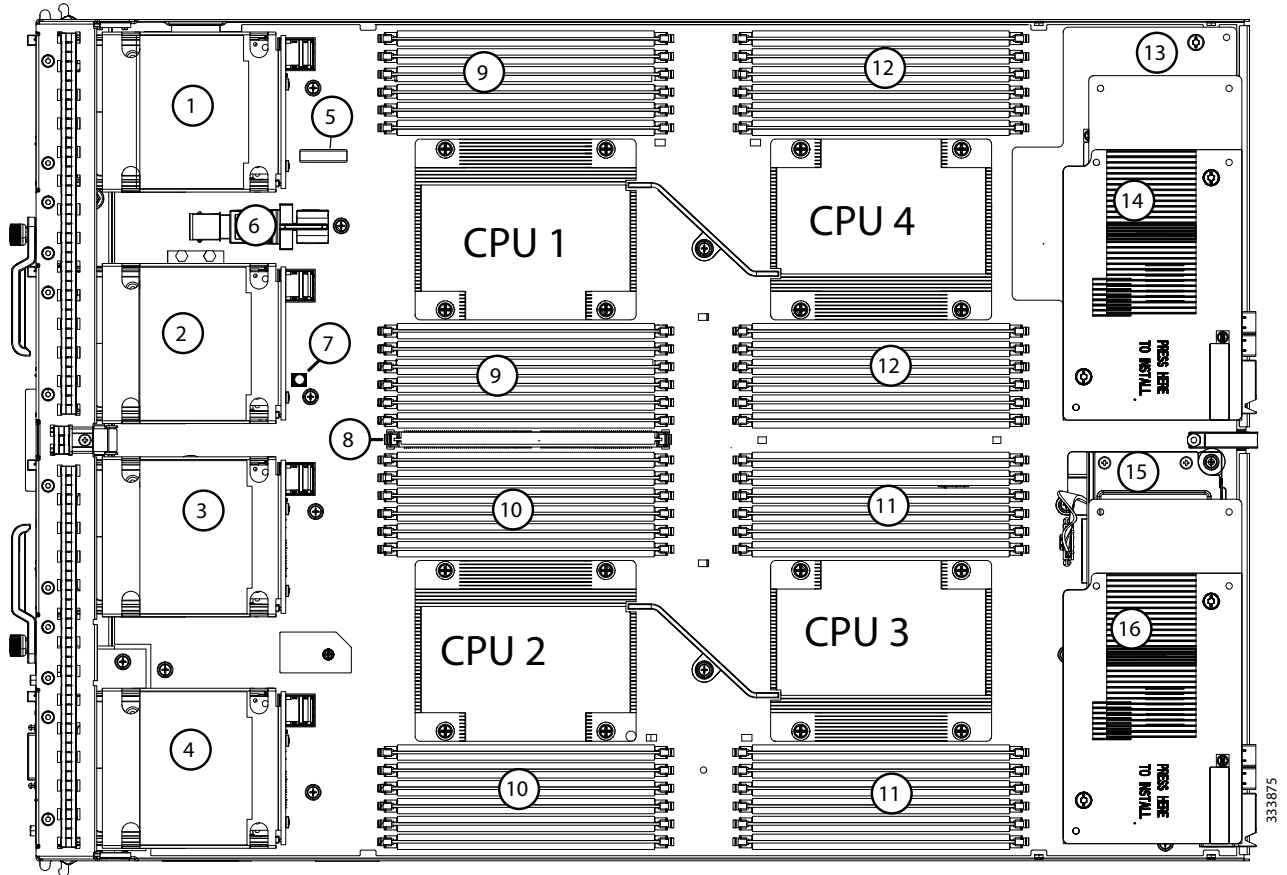
NOTE: \*The blade chassis ships with the local KVM I/O cable.

# SUPPLEMENTAL MATERIAL

## System Board

A top view of the UCS B420 M3 system board is shown in *Figure 5*.

Figure 5 UCS B420 M3 System Board



1	Drive bays	9	CPU 1 DIMMs
2	Drive bays	10	CPU 2 DIMMs
3	Drive bays	11	CPU 3 DIMMs
4	Drive bays	12	CPU 4 DIMMs
5	Battery	13	Adapter slot 1 <sup>1</sup> only (partially hidden by adapter slot 2)
6	Internal USB port (USB drive shown installed)	14	Adapter slot 2 <sup>2</sup>

7	Diagnostics button (factory use only)	15	Supercap module for Flash-backed write cache
8	1-GB Transportable Flash Module (TFM) for Flash-backed write cache	16	Adapter slot 3 <sup>3</sup>

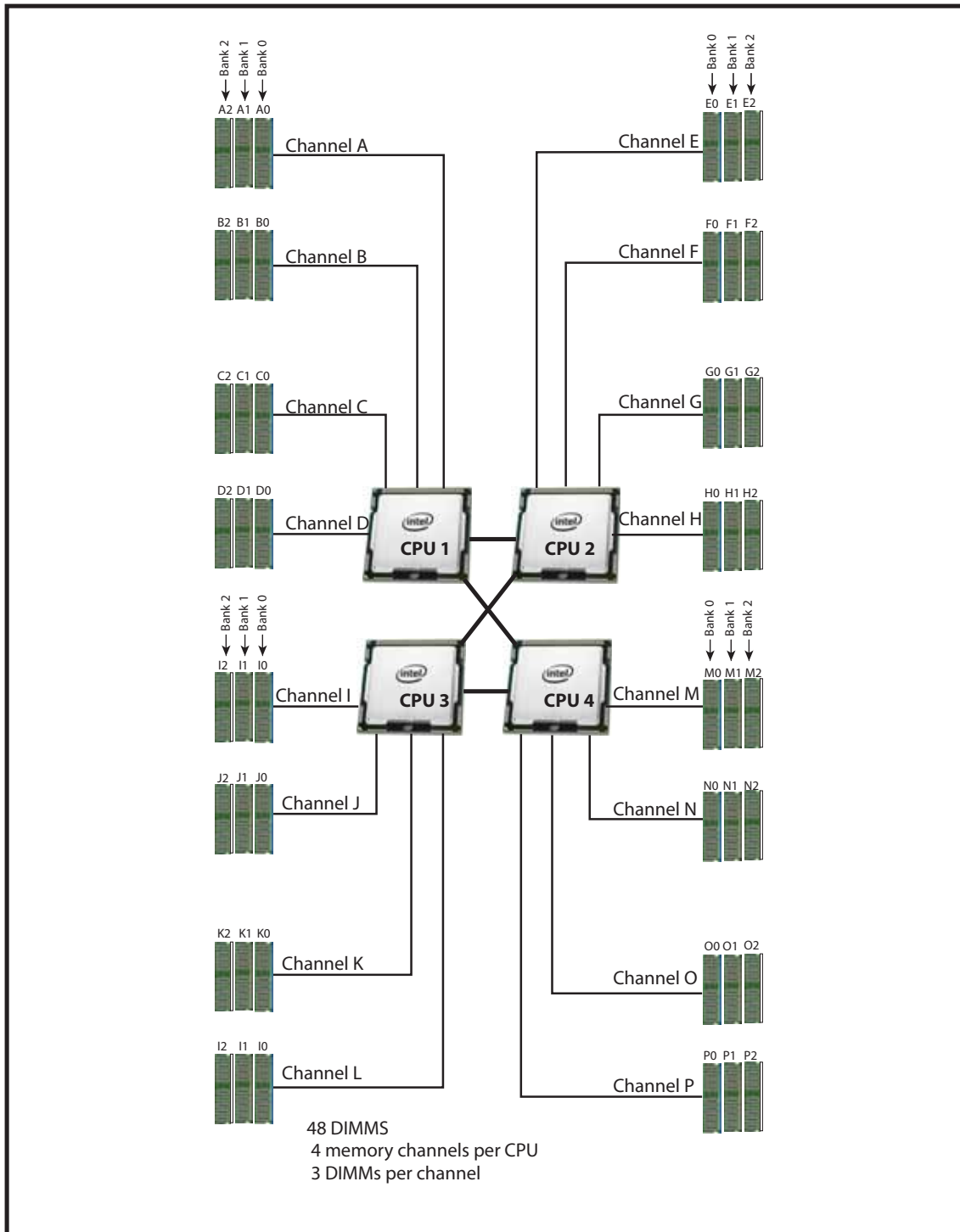
Notes

1. The B420 M3 motherboard labels this slot “mLOM”
2. The B420 M3 motherboard labels this slot “mezz 1”
3. The B420 M3 motherboard labels this slot “mezz 2”

## DIMM and CPU Layout

Memory is organized as shown in *Figure 6*.

Figure 6 UCS B420 M3 Memory Organization



Each CPU controls four memory channels and 12 DIMM slots, as follows:

- CPU1: Channels A, B, C, and D
  - Bank 0 - A0, B0, C0, and D0 (blue DIMM slots)
  - Bank 1 - A1, B1, C1, and D1 (black DIMM slots)
  - Bank 2 - A2, B2, C2, and D2 (white DIMM slots)
- CPU2: Channels E, F, G, and H
  - Bank 0 - E0, F0, G0, and H0 (blue DIMM slots)
  - Bank 1 - E1, F1, G1, and H1 (black DIMM slots)
  - Bank 2 - E2, F2, G2, and H2 (white DIMM slots)
- CPU3: Channels I, J, K, and L
  - Bank 0 - I0, J0, K0, and L0 (blue DIMM slots)
  - Bank 1 - I1, J1, K1, and L1 (black DIMM slots)
  - Bank 2 - I2, J2, K2, and L2 (white DIMM slots)
- CPU4: Channels M, N, O, and P
  - Bank 0 - M0, N0, O0, and P0 (blue DIMM slots)
  - Bank 1 - M1, N1, O1, and P1 (black DIMM slots)
  - Bank 2 - M2, N2, O2, and P2 (white DIMM slots)

## DIMM Population Order

Populate the DIMMs for a CPU according to [Table 25](#).

Table 25 DIMM Population Order per CPU

DIMMs per CPU	Populate CPU 1 Slots	Populate CPU 2 Slots	Populate CPU 3 Slots	Populate CPU 4 Slots
1	A0	E0	I0	M0
2	A0, B0	E0, F0	I0, J0	M0, N0
3	A0, B0, C0	E0, F0, G0	I0, J0, K0	M0, N0, O0
4	A0, B0, C0, D0	E0, F0, G0, H0	I0, J0, K0, L0	M0, N0, O0, P0
5	Not recommended for performance reasons			
6	A0, B0, C0, A1, B1, C1	E0, F0, G0, E1, F1, G1	I0, J0, K0, I1, J1, K1	M0, N0, O0, M1, N1, O1
7	Not recommended for performance reasons			

Table 25 DIMM Population Order per CPU (continued)

DIMMs per CPU	Populate CPU 1 Slots	Populate CPU 2 Slots	Populate CPU 3 Slots	Populate CPU 4 Slots
8	A0, B0, C0, D0, A1, B1, C1, D1	E0, F0, G0, H0, E1, F1, G1, H1	I0, J0, K0, L0, I1, J1, K1, L1	M0, N0, O0, P0, M1, N1, O1, P1
9	A0, B0, C0, A1, B1, C1, A2, B2, C2	E0, F0, G0, E1, F1, G1, E2, F2, G2	I0, J0, K0, I1, J1, K1, I2, J2, K2	M0, N0, O0, M1, N1, O1, M2, N2, O2
10	Not recommended for performance reasons			
11	Not recommended for performance reasons			
12	A0, B0, C0, D0, A1, B1, C1, D1, A2, B2, C2, D2	E0, F0, G0, H0, E1, F1, G1, H1, E2, F2, G2, H2	I0, J0, K0, L0, I1, J1, K1, L1, I2, J2, K2, L2	M0, N0, O0, P0, M1, N1, O1, P1, M2, N2, O2, P2

A quick reference for the recommended DIMM population order is shown in [Table 26](#) and [Table 27](#). CPU 1 DIMM population order is shown as an example. Pick the number of DIMMs in the table you wish to populate, then, starting with A0, populate down Bank 0, then down Bank 1, then down Bank 2 until you reach the number you picked. If you picked 8 DIMMs, for example, use [Table 26](#) and populate DIMMs in A0, B0, C0, D0, A1, B1, C1, and D1. If you picked 6 DIMMs, for example, use [Table 27](#) and populate DIMMs in A0, B0, C0, A1, B1, and C1, leaving D0 and D1 empty.

Table 26 DIMM Population Quick Reference for CPU 1 (for 1, 2, 4, 7, 8, 10, 11, or 12 DIMMS)

CPU Channel	Bank 0	Bank 1	Bank 2
A	1	5	9
B	2	6	10 <sup>1</sup>
C	3	7 <sup>1</sup>	11 <sup>1</sup>
D	4	8	12

Notes

- 1. Not recommended for performance reasons

Table 27 DIMM Population Quick Reference for CPU 1 (for 3, 5, 6, or 9 DIMMS)

CPU Channel	Bank 0	Bank 1	Bank 2
A	1	4	7
B	2	5 <sup>1</sup>	8
C	3	6	9
D	empty	empty	empty

Notes

- 1. Not recommended for performance reasons

## DIMM Physical Layout

The overall DIMM and CPU physical layout is shown in *Figure 7*.

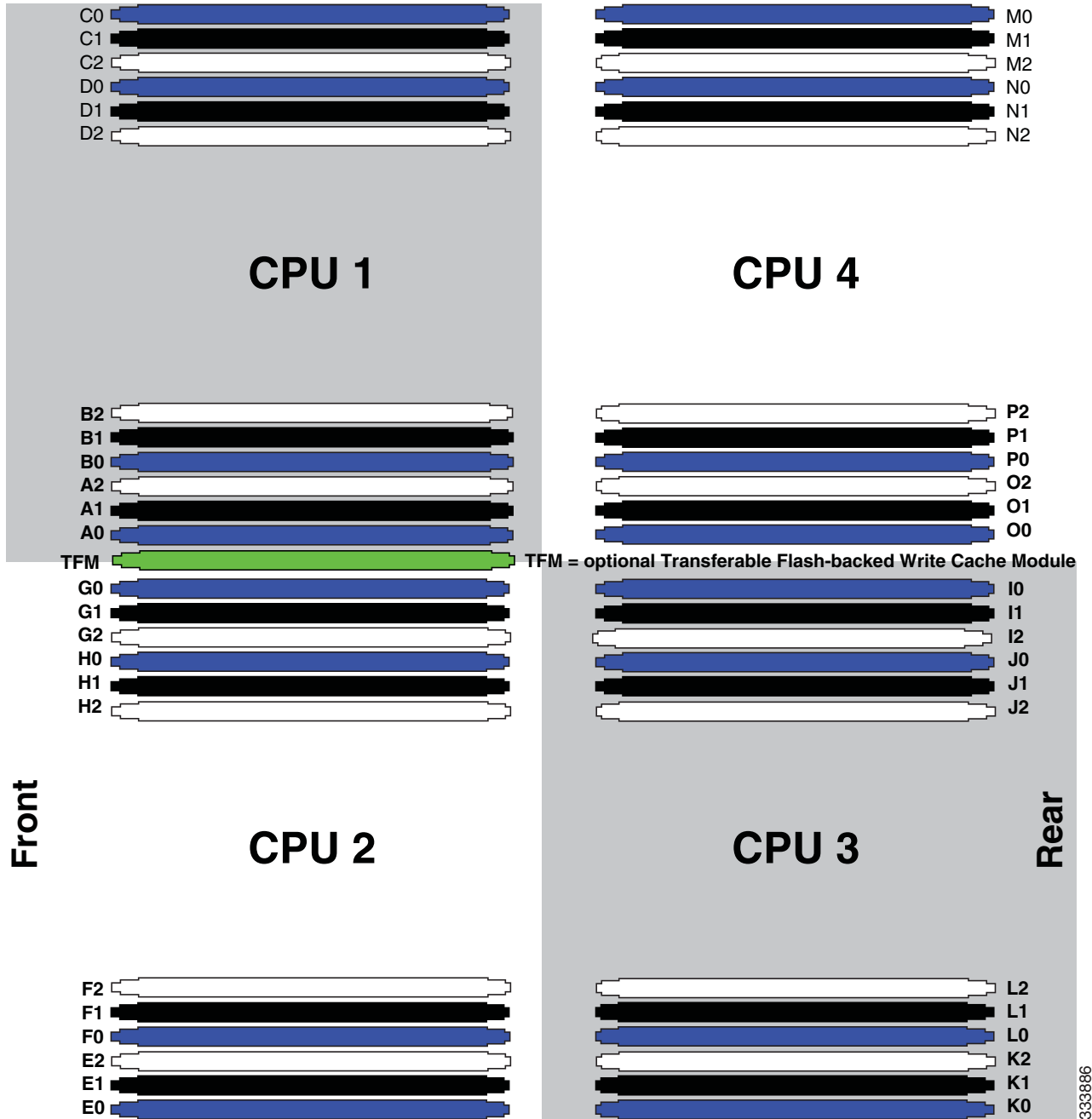
Figure 7 DIMM and CPU Layout

1	Channel A - D DIMMs for CPU 1	3	Channel I - L DIMMs for CPU 3
2	Channel E - H DIMMs for CPU 2	4	Channels M - P DIMMs for CPU 4



Figure 8 shows how channels are physically laid out on the blade server. The DIMM slots are contiguous to their associated CPU.

Figure 8 Physical Representation of DIMMs and CPUs



## Network Connectivity

This section shows how the supported adapter card configurations for the B420 M3 connect to the Fabric Extender modules in the 5108 blade server chassis.

There are three configurable adapter slots on the B420 M3. One slot supports only the VIC 1240 adapter, and two additional slots accommodate Cisco and Emulex or QLogic adapters, as well as Cisco UCS Storage Accelerator adapters. [Table 10 on page 18](#) and [Table 11 on page 19](#) show supported adapter configurations. You must install at least one adapter in one of the three adapter slots.

“Adapter 1,” “Adapter 2,” and “Adapter 3” refer to the UCSM naming convention for the adapter slots (this document uses the UCSM naming convention). In the server BIOS and on the motherboard, the corresponding slots are labeled as “mLOM,” “Mezz 1,” and “Mezz 2,” respectively. See [Table 9](#).

Table 28 Adapter Slot Naming

Server BIOS and Motherboard Slot Naming	UCSM Slot Naming
mLOM (VIC 1240 only)	Adapter 1
Mezz1	Adapter 2
Mezz2	Adapter 3

Total bandwidth is a function of the Fabric Extender, the adapter, and the adapter slot, as shown in [Table 29](#) and [Table 30](#).

Table 29 Maximum Bandwidth Using Dual Fabric Extenders (FEXs)

FEX Model	Maximum Bandwidth Using Dual FEXs
2208XP	160 Gb
2204XP	80 Gb
2104XP	20 Gb

Table 30 Maximum Bandwidth for Each of the Three Adapter Slots

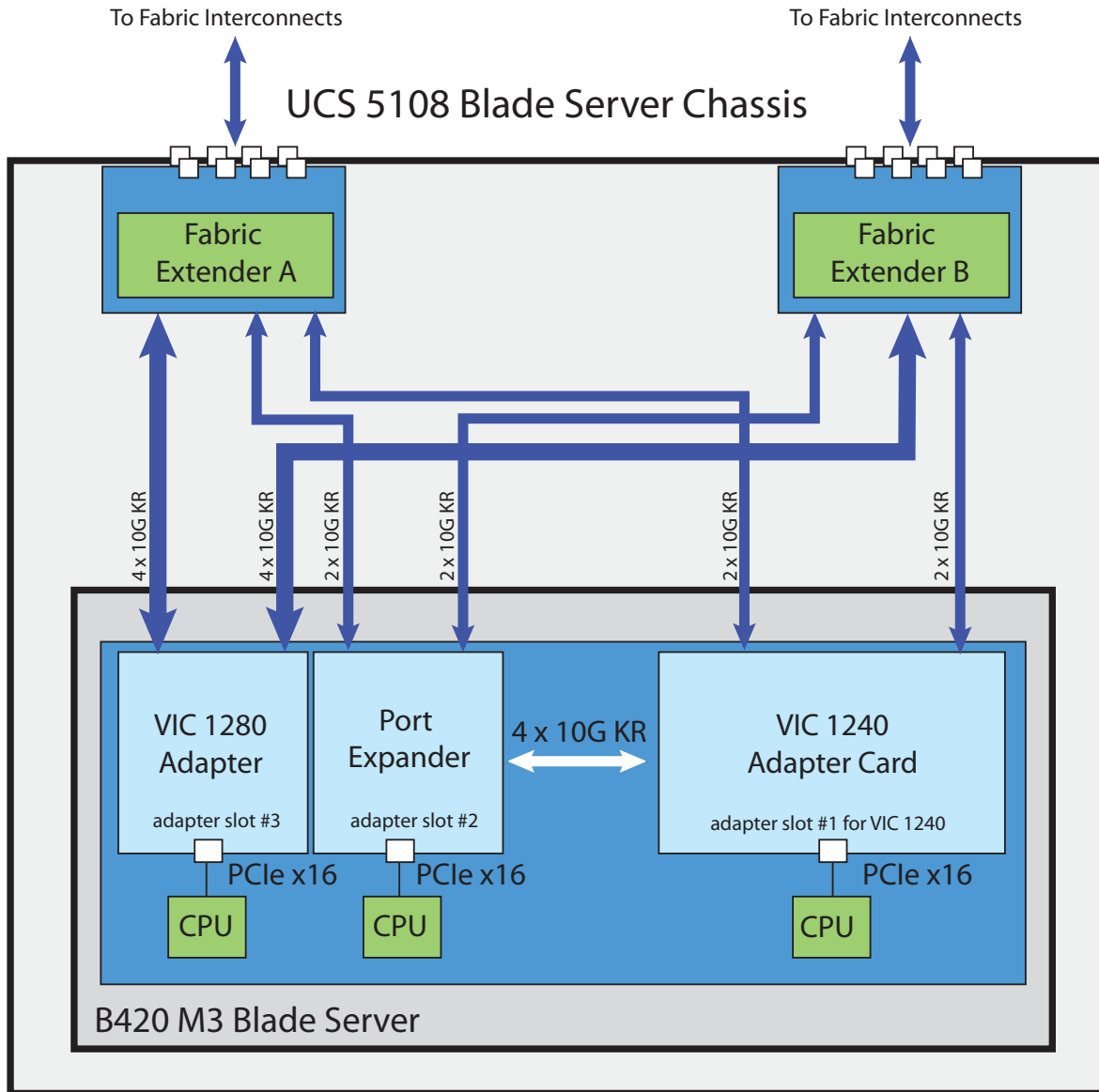
Adapter Slot	Maximum Bandwidth Using Dual FEXs
VIC 1240 (Adapter 1) slot	40 Gb
Adapter 2 Slot	40 Gb
Adapter 3 Slot	80 Gb

Figure 9 shows the configuration for maximum bandwidth, where the following ports are routed to Fabric Extender Modules A and B inside the 5108 blade server chassis:

- Two 2 x 10G KR ports from the VIC 1240 adapter
- Two 2 x 10G KR ports from the Port Expander
- Two 4 x 10G KR ports from the VIC 1280 adapter

The resulting aggregate bandwidth is 160 Gb (80 Gb to each Fabric Extender).

Figure 9 UCS B420 M3 Connections to the Fabric Extenders



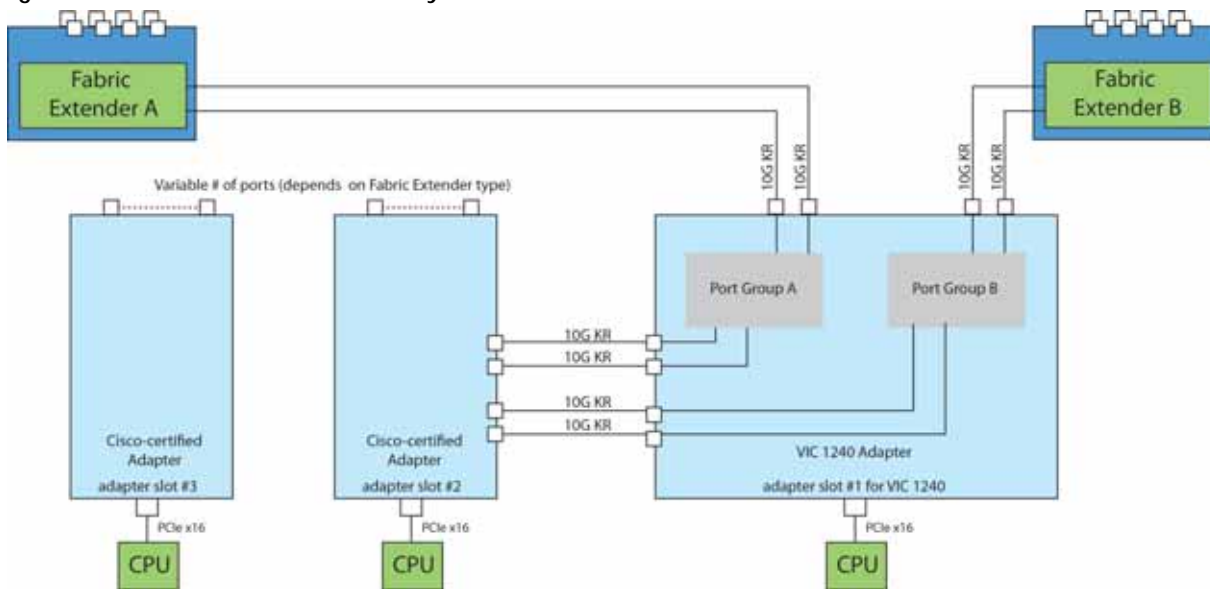
## VIC 1240 and Port Expander

Adapter slot 1 is dedicated to the VIC 1240 adapter, and no other adapter card can be installed in this slot. There are two groups of four ports on the VIC 1240:

- Two ports of the first group and two ports of the second group are wired through the UCS 5108 Blade Server chassis to Fabric Extender A and Fabric Extender B.
- The other two ports of each group are wired to adapter slot 2. The VIC 1240 adapter senses the type of adapter installed in adapter slot 2. If a Port Expander is installed in adapter slot 2, the four 10G KR ports between the adapters are used for port expansion; otherwise they are unused.

With the Port Expander installed, there are up to eight (depending on the Fabric Extender installed) 10 Gb network interfaces, as represented in *Figure 10*.

Figure 10 VIC 1240 Connectivity



## Connectivity Using the Cisco UCS 2208XP Fabric Extender

The connectivity options shown in [Figure 11](#) through [Figure 21](#) are summarized in [Table 31](#).

Table 31 Supported Adapter<sup>1</sup> Combinations Using the 2208XP FEX<sup>2</sup>

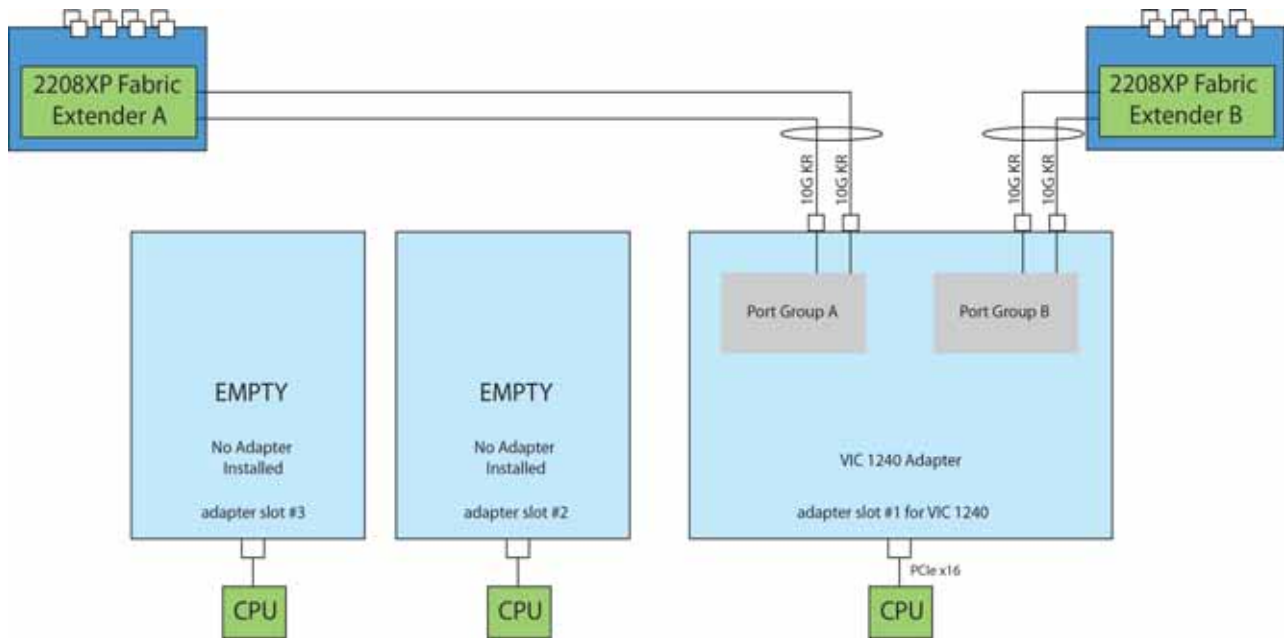
Adapter Slot 1	Adapter Slot 2	Adapter Slot 3	Total Available Bandwidth
			2 x 2208 XP
VIC 1240	Not populated	Not populated	40 Gb <a href="#">Figure 11 on page 46</a>
VIC 1240	Not populated	VIC 1280	120 Gb <a href="#">Figure 12 on page 46</a>
Not populated	Not populated	VIC 1280	80 Gb <a href="#">Figure 13 on page 47</a>
VIC 1240	Not populated	Emulex or QLogic adapter	60 Gb <a href="#">Figure 14 on page 47</a>
VIC 1240	Port Expander Card	Not populated	80 Gb <a href="#">Figure 15 on page 48</a>
Not populated	Not populated	Emulex or QLogic adapter	20 Gb <a href="#">Figure 16 on page 49</a>
Not populated	Emulex or QLogic adapter	Emulex or QLogic adapter	40 Gb <a href="#">Figure 17 on page 49</a>
VIC 1240	Port Expander Card	VIC 1280	160 Gb <a href="#">Figure 18 on page 50</a>
VIC 1240	Not populated	Cisco UCS Storage Accelerator	40 Gb <a href="#">Figure 19 on page 51</a>
VIC 1240	Cisco UCS Storage Accelerator <sup>3</sup>	Cisco UCS Storage Accelerator <sup>3</sup>	40 Gb <a href="#">Figure 20 on page 51</a>
Not populated	Cisco UCS Storage Accelerator	VIC 1280	80 Gb <a href="#">Figure 21 on page 52</a>
VIC 1240	Cisco UCS Storage Accelerator	VIC 1280	120 Gb <a href="#">Figure 22 on page 53</a>

### Notes

1. In the server BIOS and on the motherboard, “Adapter 1,” “Adapter 2,” and “Adapter 3” are labeled as “mLOM,” “Mezz 1,” and “Mezz 2,” respectively
2. Not all combinations are supported in 2-CPU configurations (see [Table 11 on page 19](#))
3. This combination requires that both Storage Accelerators be identical.

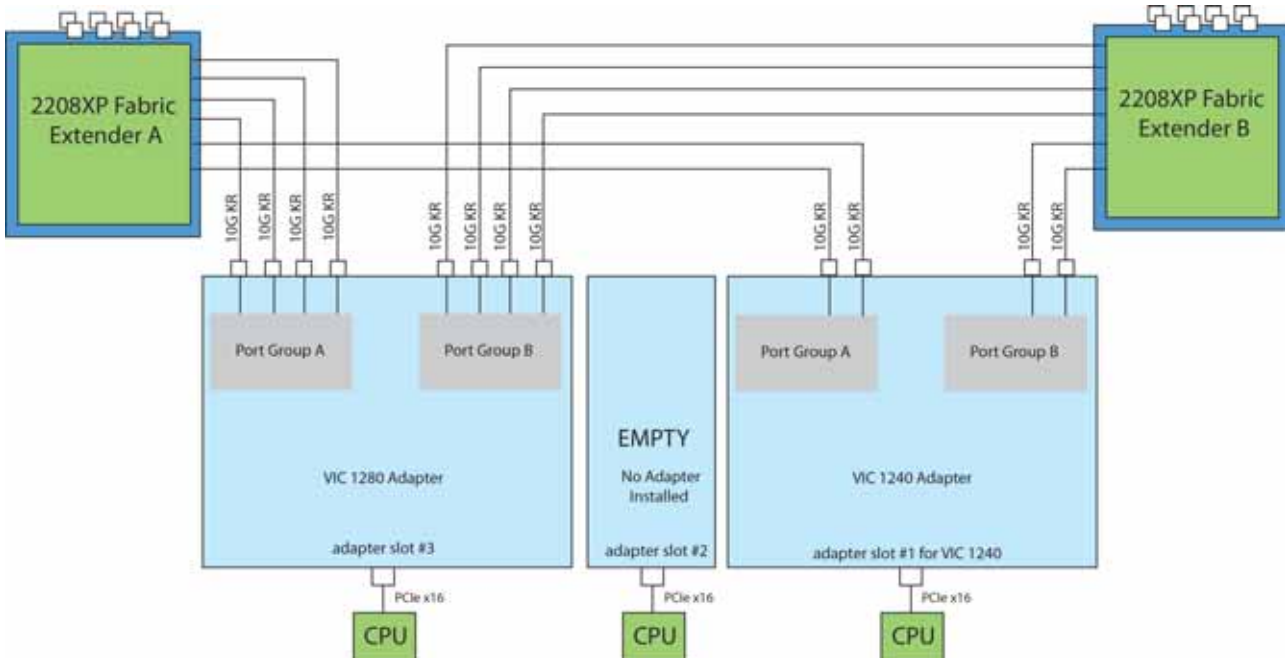
In *Figure 11*, two ports from the VIC 1240 adapter are channeled to 2208XP Fabric Extender A and two are channeled to 2208XP Fabric Extender B. The result is 20 Gb of bandwidth to each Fabric Extender.

Figure 11 VIC 1240 (adapter slots 2 and 3 empty)



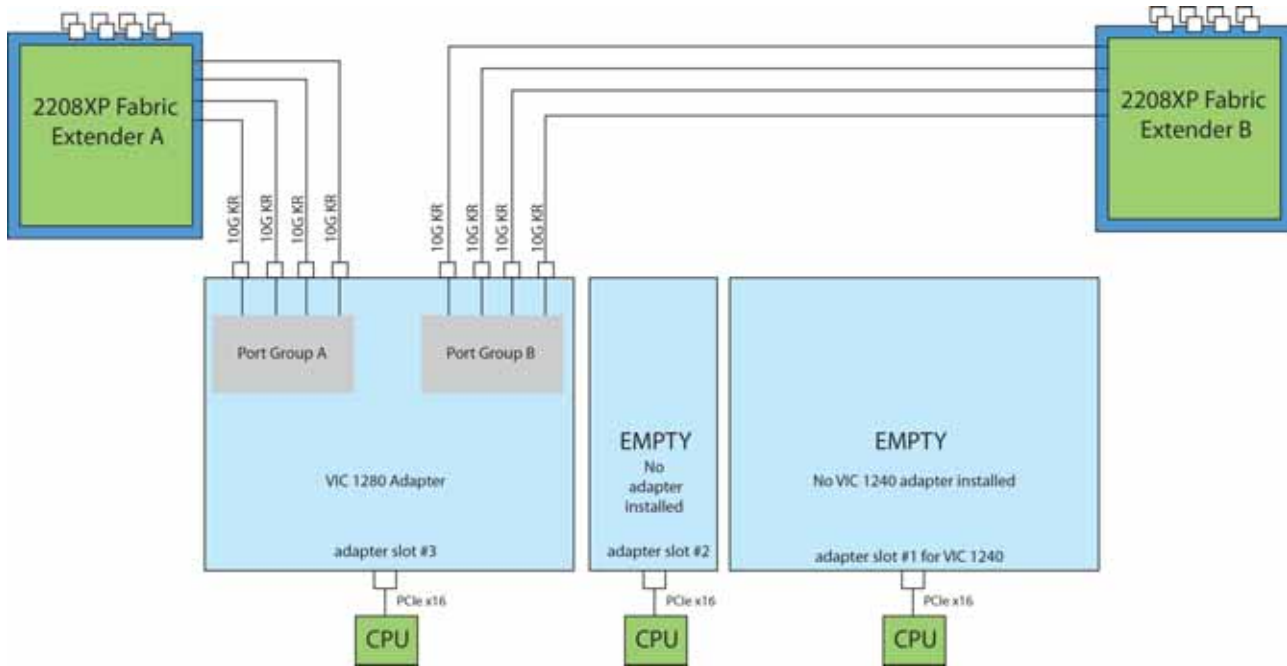
In *Figure 12*, two ports from the VIC 1240 are channeled to 2208XP Fabric Extender A and two are channeled to 2208XP Fabric Extender B. Adapter slot 2 is empty. The VIC 1280 installed in adapter slot 3 channels four ports to each of the Fabric Extenders. The result is 60 Gb of bandwidth to each Fabric Extender.

Figure 12 VIC 1240 and VIC 1280 (adapter slot 2 empty)



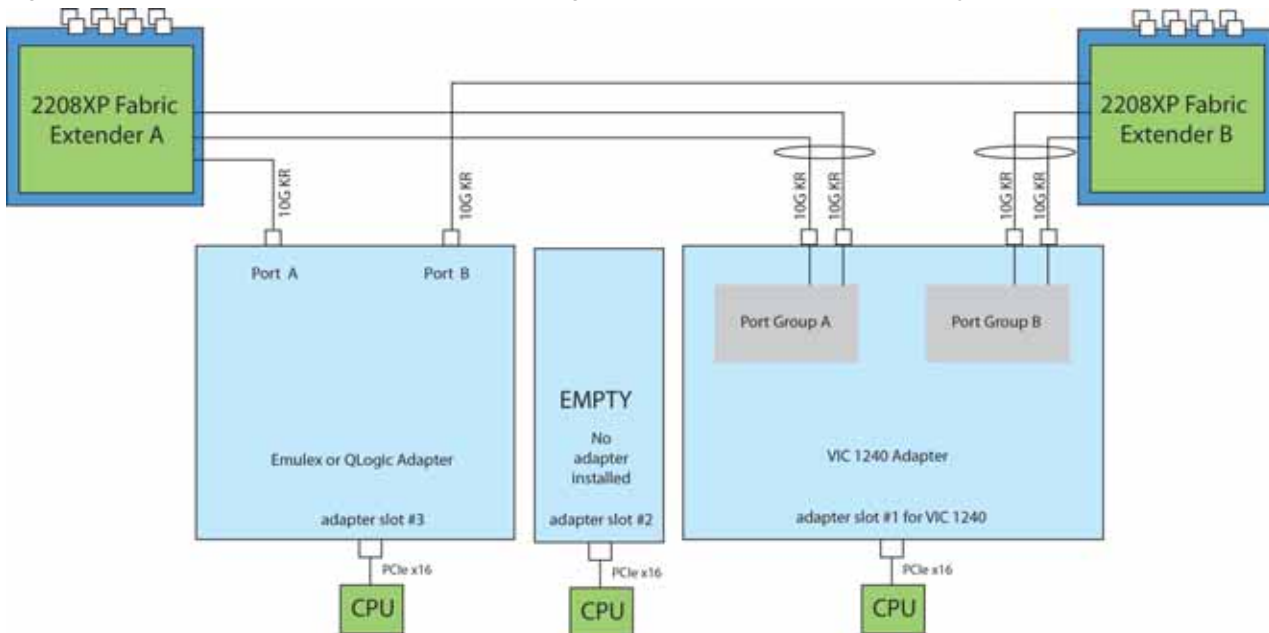
In *Figure 13*, four ports from the VIC 1280 are channeled to 2208XP Fabric Extender A and four are channeled to 2208XP Fabric Extender B. The VIC 1240 slot is empty and adapter slot 2 is empty. The result is 40 Gb of bandwidth to each Fabric Extender. This is not supported in 2-CPU configurations.

Figure 13 VIC 1280 (VIC 1240 slot empty and adapter slot 2 empty)



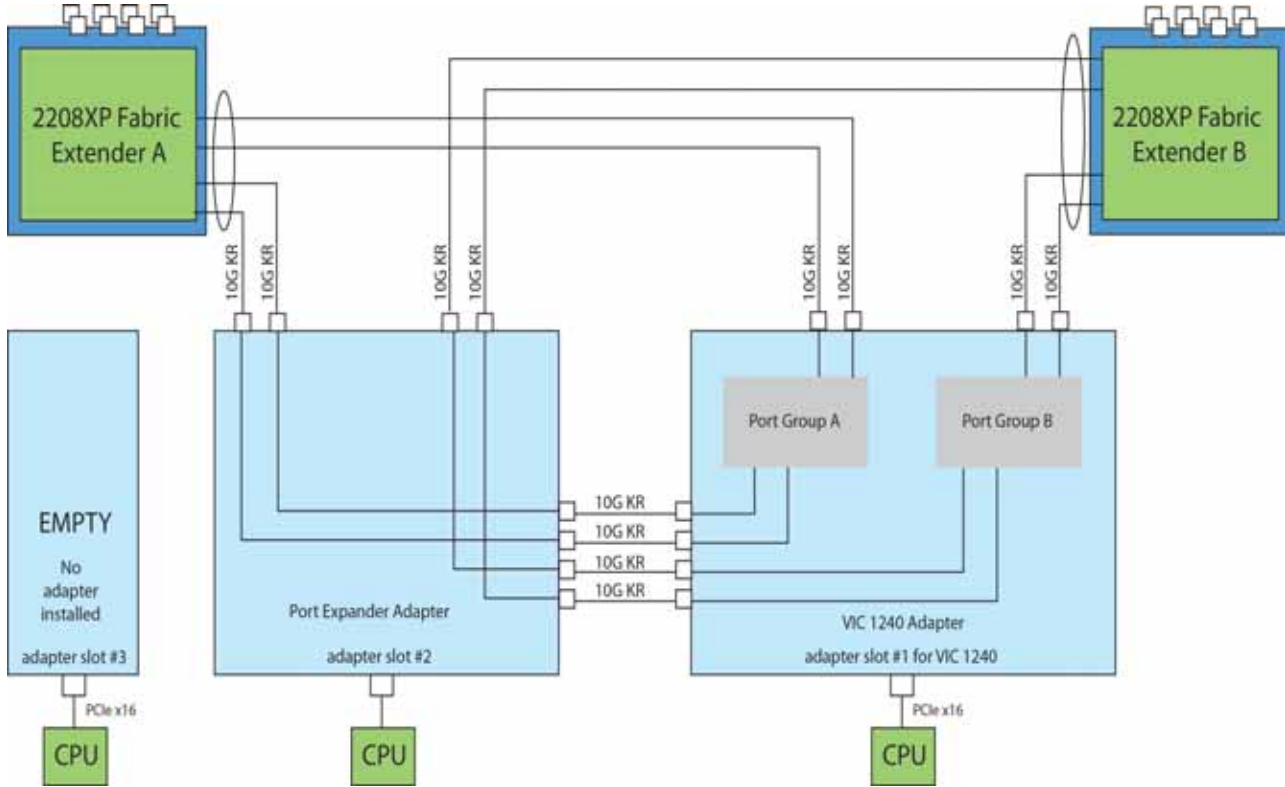
In *Figure 14*, two ports from the VIC 1240 are channeled to 2208XP Fabric Extender A and two are channeled to 2208XP Fabric Extender B. Adapter slot 2 is empty. The Emulex or QLogic adapter installed in adapter slot 3 also channels one port to each of the Fabric Extenders. The result is 30 Gb of bandwidth to each Fabric Extender.

Figure 14 VIC 1240 and One Emulex or QLogic Adapter (adapter slot 2 empty)



In *Figure 15*, two ports from the VIC 1240 are channeled to 2208XP Fabric Extender A and two are channeled to 2208XP Fabric Extender B. The Port Expander Card installed in adapter slot 2 acts as a pass-through device, channeling two ports to each of the Fabric Extenders. Adapter slot 3 is empty. The result is 40 Gb of bandwidth to each Fabric Extender.

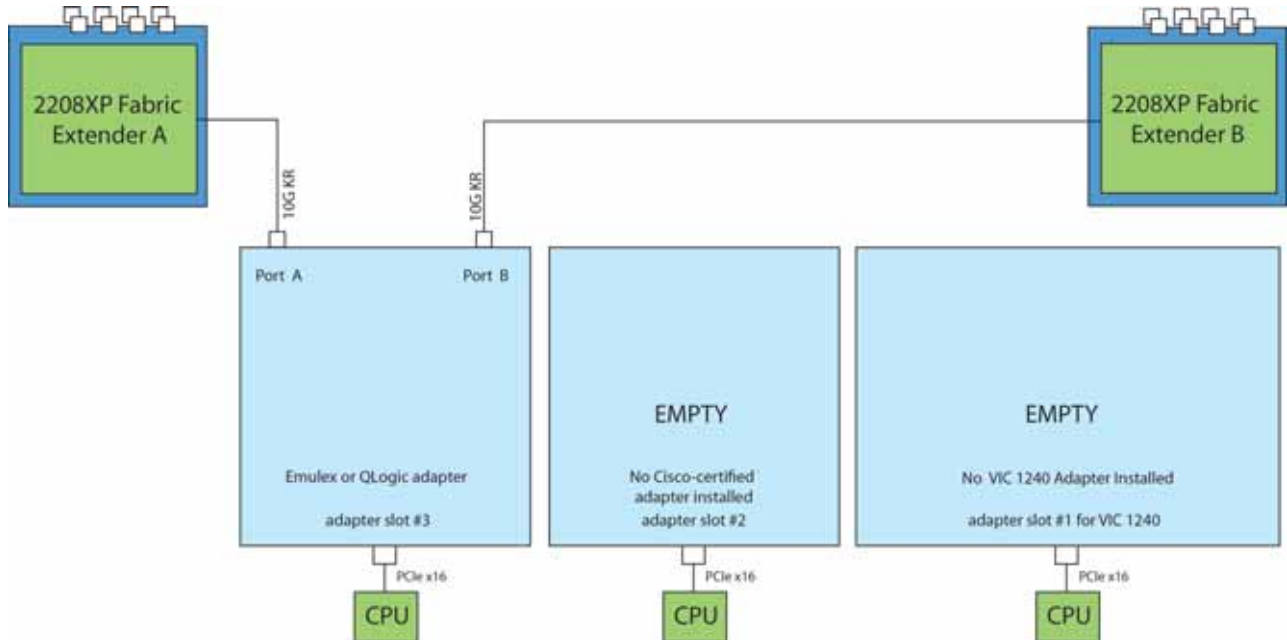
Figure 15 VIC 1240 and Port Expander in Adapter Slot 2 (adapter slot 3 empty)



In *Figure 16*, there is no VIC 1240 installed. In this case, an Emulex or QLogic adapter is installed in adapter slot 3. Ports A and B of the adapter connect to the Fabric Extenders, providing 10 Gb per port.

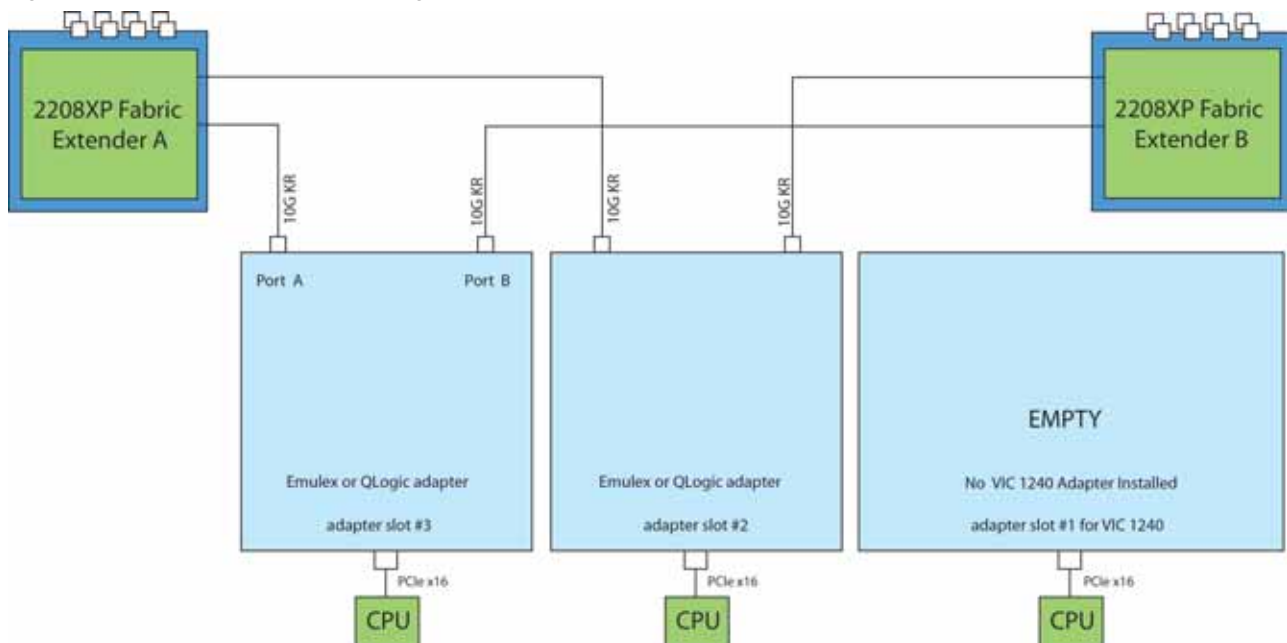


Figure 16 One Emulex or QLogic Adapter Installed in Adapter Slot 3 (other two slots empty)



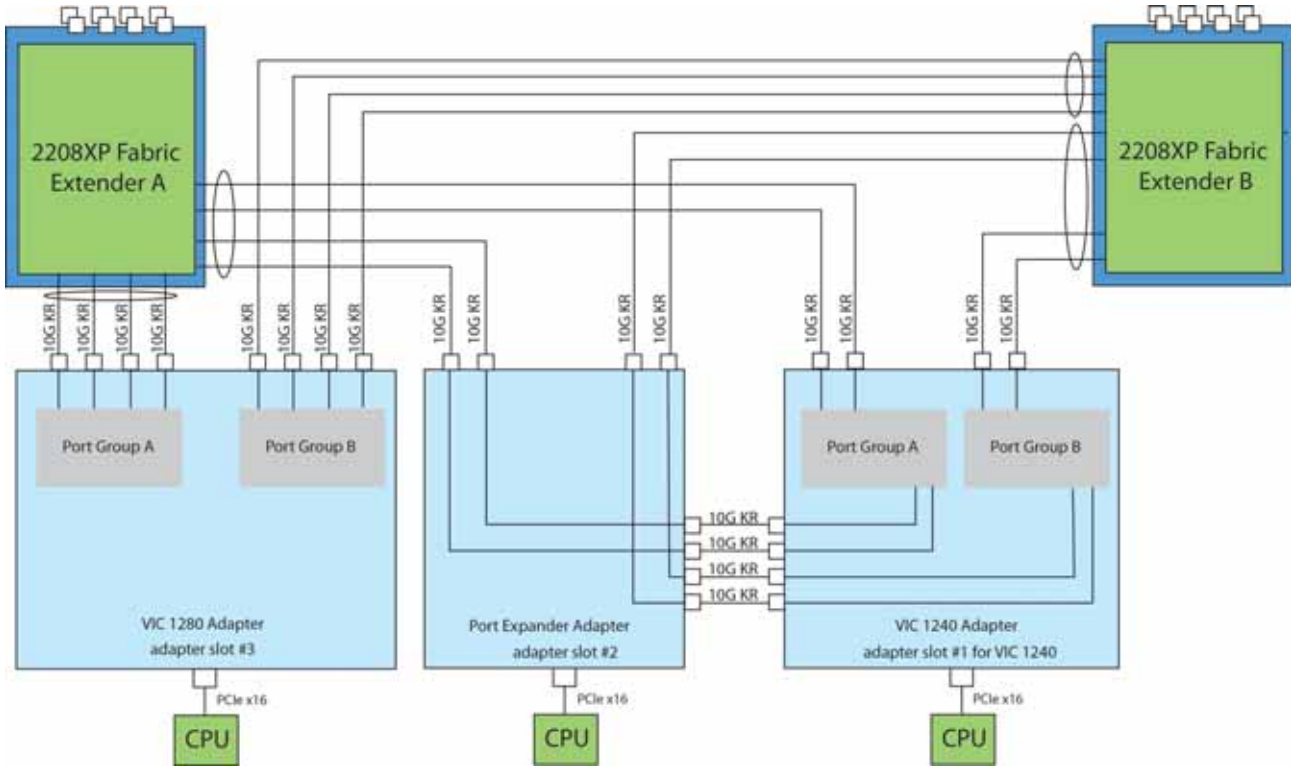
In *Figure 17*, there is no VIC 1240 installed. In this case, two Emulex or QLogic adapters are installed in adapter slots 2 and 3. Ports A and B of each adapter connect to the Fabric Extenders, providing 20 Gb to each Fabric Extender. This is not supported in 2-CPU configurations.

Figure 17 Two Emulex or QLogic Adapters Installed in Adapter Slots 2 and 3 (no VIC 1240 adapter)



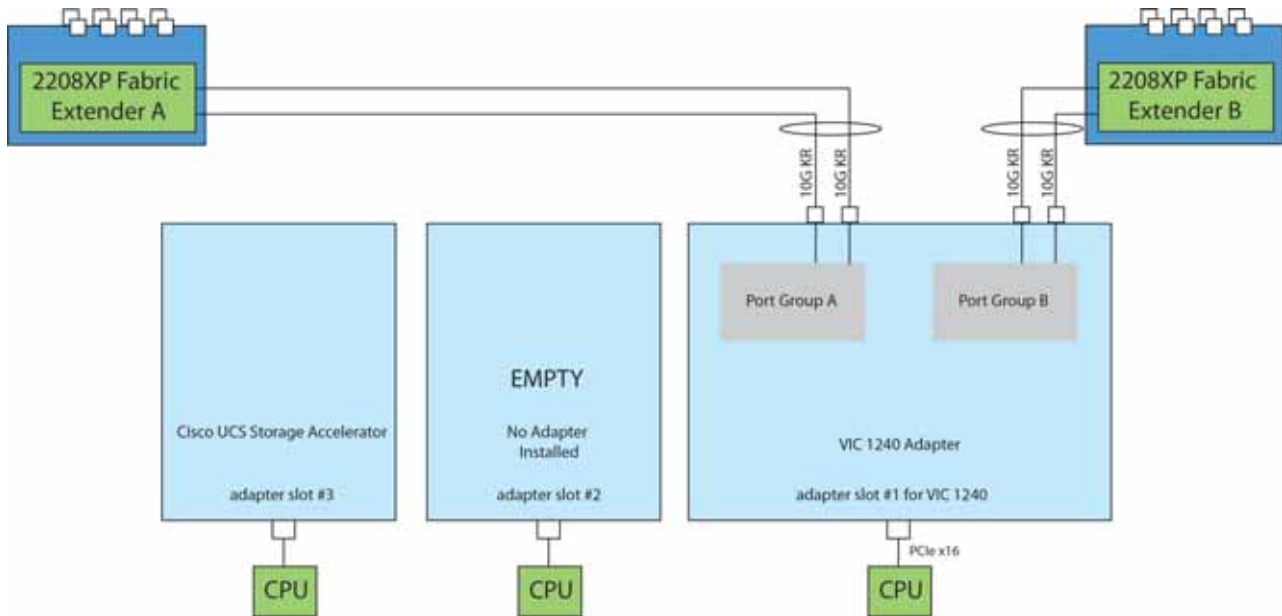
In *Figure 18*, two ports from the VIC 1240 are channeled to 2208XP Fabric Extender A and two are channeled to 2208XP Fabric Extender B. The Port Expander Card installed in adapter slot 2 acts as a pass-through device, channeling two ports to each of the Fabric Extenders. In addition, the VIC 1280 channels four ports to each Fabric Extender. The result is 80 Gb of bandwidth to each Fabric Extender.

Figure 18 VIC 1240, Port Expander in Adapter Slot 2, and VIC 1280 in Adapter Slot 3



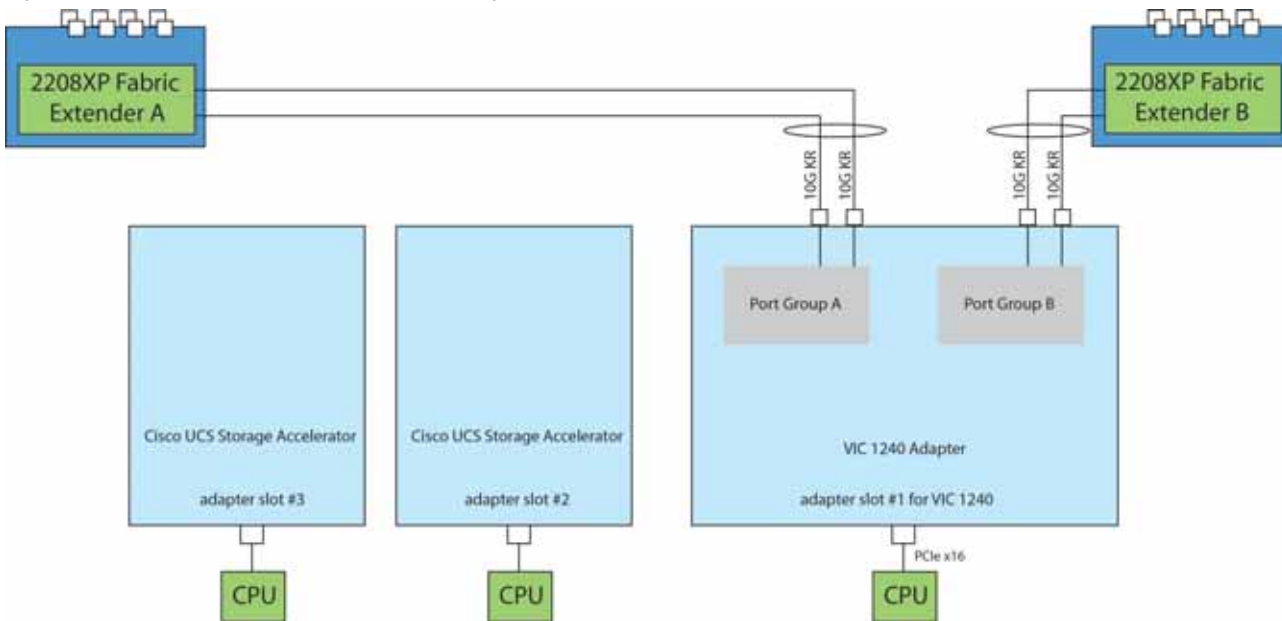
In *Figure 19*, two ports from the VIC 1240 adapter are channeled to 2208XP Fabric Extender A and two are channeled to 2208XP Fabric Extender B. The result is 20 Gb of bandwidth to each Fabric Extender. A Cisco UCS Storage Accelerator adapter is installed in slot 2, but provides no network connectivity.

Figure 19 VIC 1240 (Cisco UCS Storage Accelerator in slot 3 and adapter slot 2 empty)



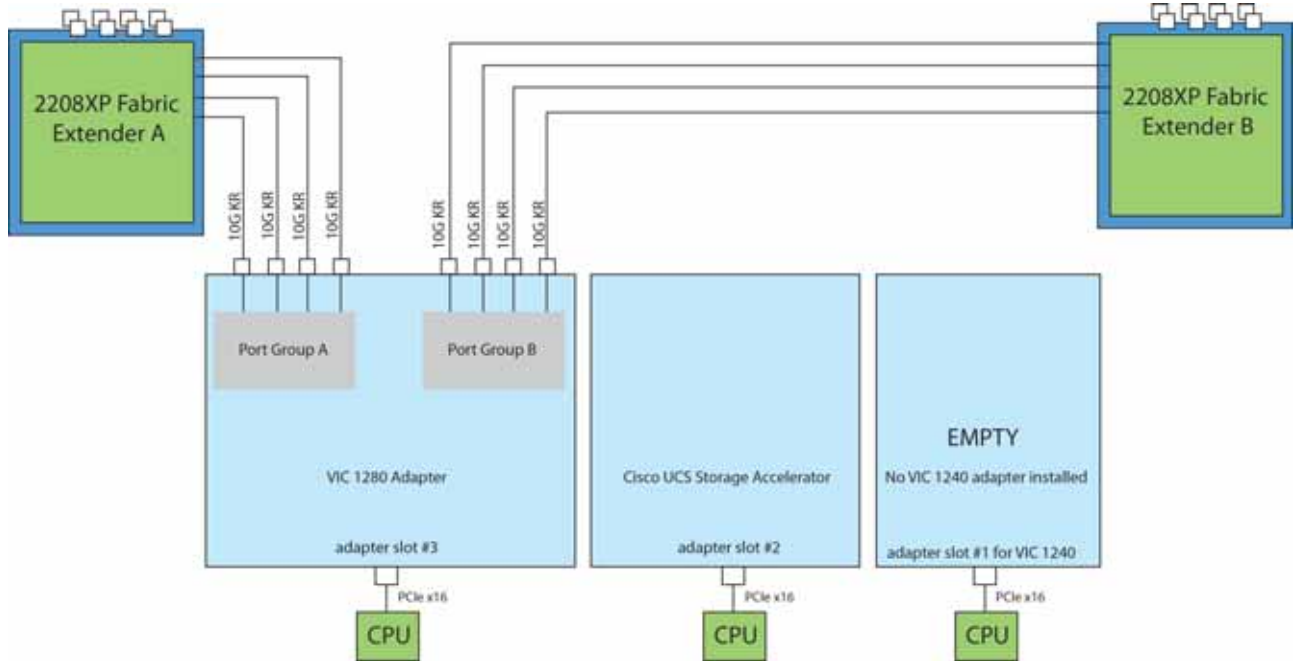
In *Figure 20*, two ports from the VIC 1240 adapter are channeled to 2208XP Fabric Extender A and two are channeled to 2208XP Fabric Extender B. The result is 20 Gb of bandwidth to each Fabric Extender. Two *identical* Cisco UCS Storage Accelerator adapters are installed in slots 2 and 3, but provide no network connectivity. This configuration is not supported for 2-CPU systems.

Figure 20 VIC 1240 (Cisco UCS Storage Accelerator in slots 2 and 3)



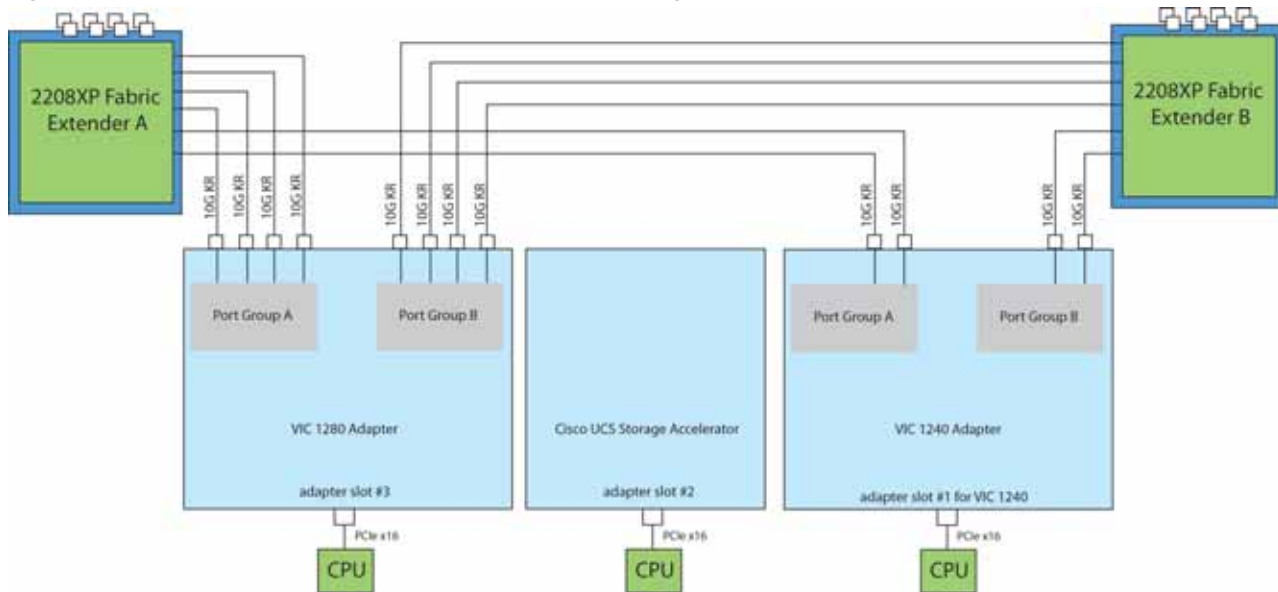
In *Figure 21*, four ports from the VIC 1280 are channeled to 2208XP Fabric Extender A and four are channeled to 2208XP Fabric Extender B. The VIC 1240 slot is empty and adapter slot 2 contains a Cisco UCS Storage Accelerator (which has no network connectivity). The result is 40 Gb of bandwidth to each Fabric Extender. This configuration is not supported for 2-CPU systems.

Figure 21 VIC 1280 (VIC 1240 slot empty and Cisco UCS Storage Accelerator in adapter slot 2)



In *Figure 22*, two ports from the VIC 1240 adapter are channeled to 2208XP Fabric Extender A and two are channeled to 2208XP Fabric Extender B. The result is 20 Gb of bandwidth to each Fabric Extender. Four ports from the VIC 1280 are channeled to 2208XP Fabric Extender A and four are channeled to 2208XP Fabric Extender B. The result is 40 Gb of bandwidth to each Fabric Extender. The total bandwidth for the VIC 1240 and VIC 1280 together is 120 Gbs. Adapter slot 2 contains a Cisco UCS Storage Accelerator (which has no network connectivity). This configuration is not supported for 2-CPU systems.

Figure 22 VIC 1280, VIC 1240, and Cisco UCS Storage Accelerator



## Connectivity using the Cisco UCS 2204XP Fabric Extender

The connectivity options shown in *Figure 23* through *Figure 30* are shown in *Table 32*.

Table 32 Supported Adapter<sup>1</sup> Combinations Using the 2204XP<sup>2</sup>

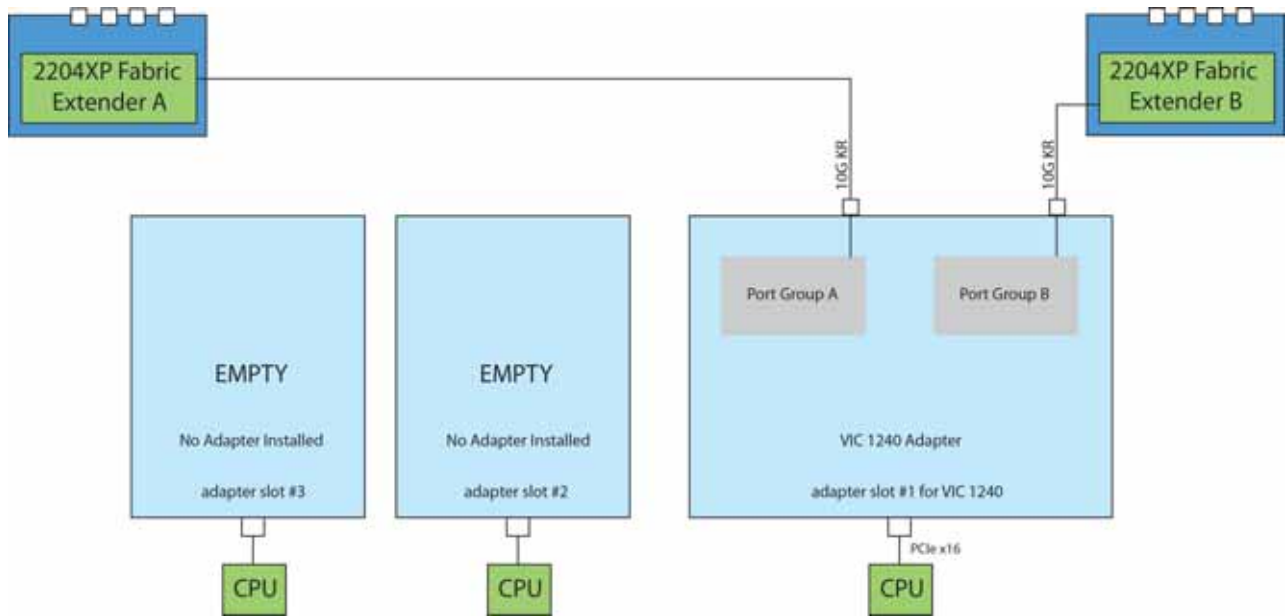
Adapter Slot 1	Adapter Slot 2	Adapter Slot 3	Total Available Bandwidth
			2 x 2204 XP
VIC 1240	Not populated	Not populated	20 Gb <i>Figure 23 on page 55</i>
VIC 1240	Not populated	VIC 1280	60 Gb <i>Figure 24 on page 55</i>
Not populated	Not populated	VIC 1280	40 Gb <i>Figure 25 on page 56</i>
VIC 1240	Not populated	Emulex or QLogic CNA	40 Gb <i>Figure 26 on page 56</i>
VIC 1240	Port Expander Card	Not populated	40 Gb <i>Figure 27 on page 57</i>
Not populated	Not populated	Emulex or QLogic CNA	20 Gb <i>Figure 28 on page 57</i>
Not populated	Emulex or QLogic CNA	Emulex or QLogic CNA	40 Gb <i>Figure 29 on page 58</i>
VIC 1240	Port Expander Card	VIC 1280	80 Gb <i>Figure 30 on page 59</i>
VIC 1240	Not populated	Cisco UCS Storage Accelerator	40 Gb <i>Figure 31 on page 60</i>
VIC 1240	Cisco UCS Storage Accelerator <sup>3</sup>	Cisco UCS Storage Accelerator <sup>3</sup>	40 Gb <i>Figure 32 on page 60</i>
Not populated	Cisco UCS Storage Accelerator	VIC 1280	80 Gb <i>Figure 33 on page 61</i>
VIC 1240	Cisco UCS Storage Accelerator	VIC 1280	60 Gb <i>Figure 34 on page 62</i>

Notes

1. In the server BIOS and on the motherboard, “Adapter 1,” “Adapter 2,” and “Adapter 3” are labeled as “mLOM,” “Mezz 1,” and “Mezz 2,” respectively
2. Not all combinations are supported in 2-CPU configurations (see *Table 11 on page 19*)
3. This combination requires that both Storage Accelerators be identical.

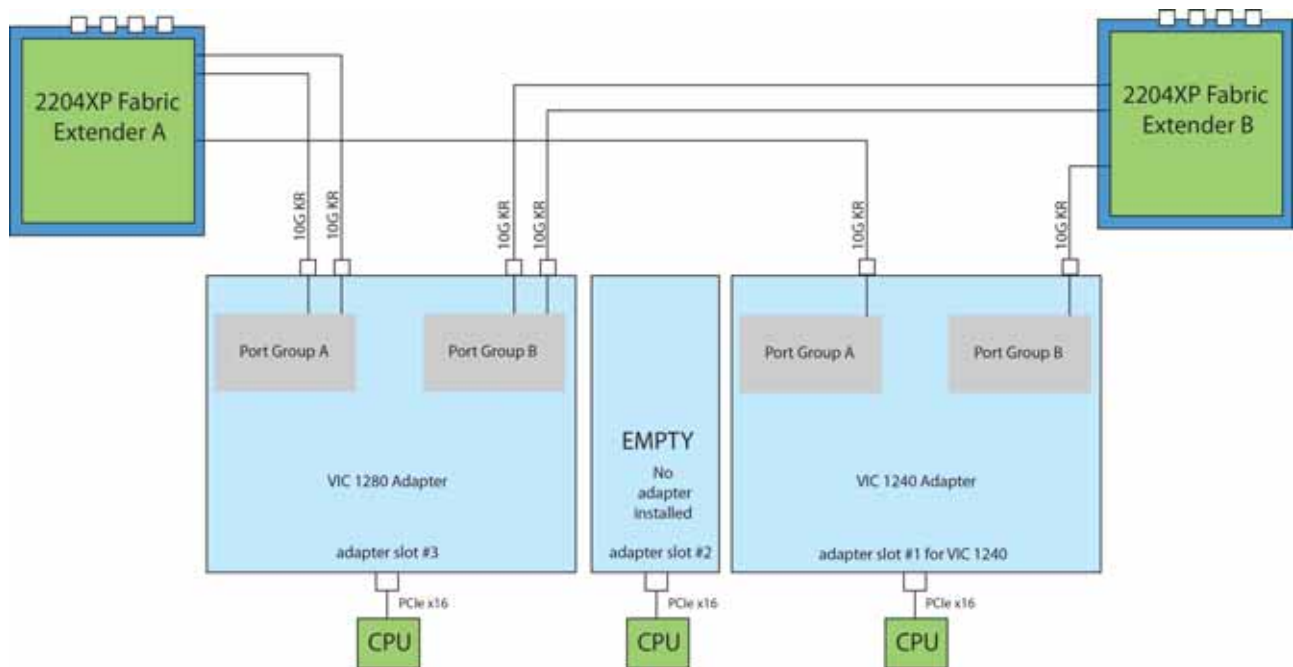
In *Figure 23*, one port from the VIC 1240 is channeled to 2204XP Fabric Extender A and one is channeled to 2204XP Fabric Extender B. The result is 10 Gb of bandwidth to each Fabric Extender.

Figure 23 VIC 1240 (adapter slots 2 and 3 empty)



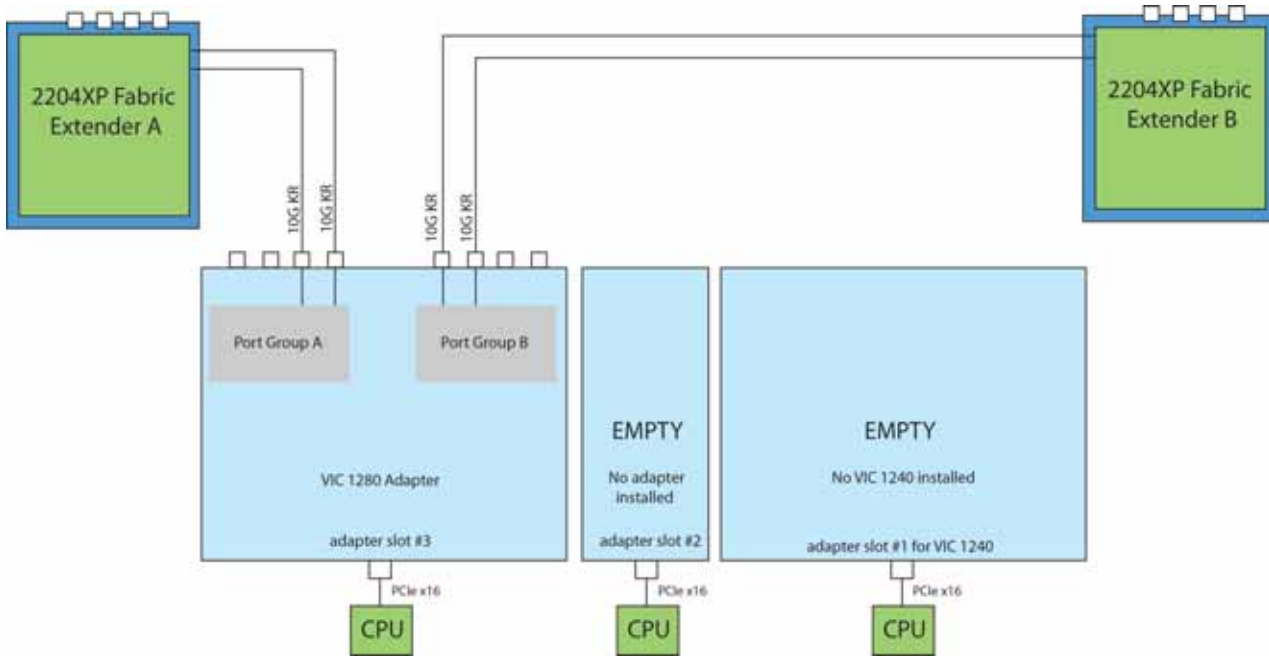
In *Figure 24*, one port from the VIC 1240 is channeled to 2204XP Fabric Extender A and one is channeled to 2204XP Fabric Extender B. Adapter slot 2 is empty. The VIC 1280 installed in adapter slot 3 channels two ports to each of the Fabric Extenders. The result is 30 Gb of bandwidth to each Fabric Extender.

Figure 24 VIC 1240 and VIC 1280 (adapter slot 2 empty)



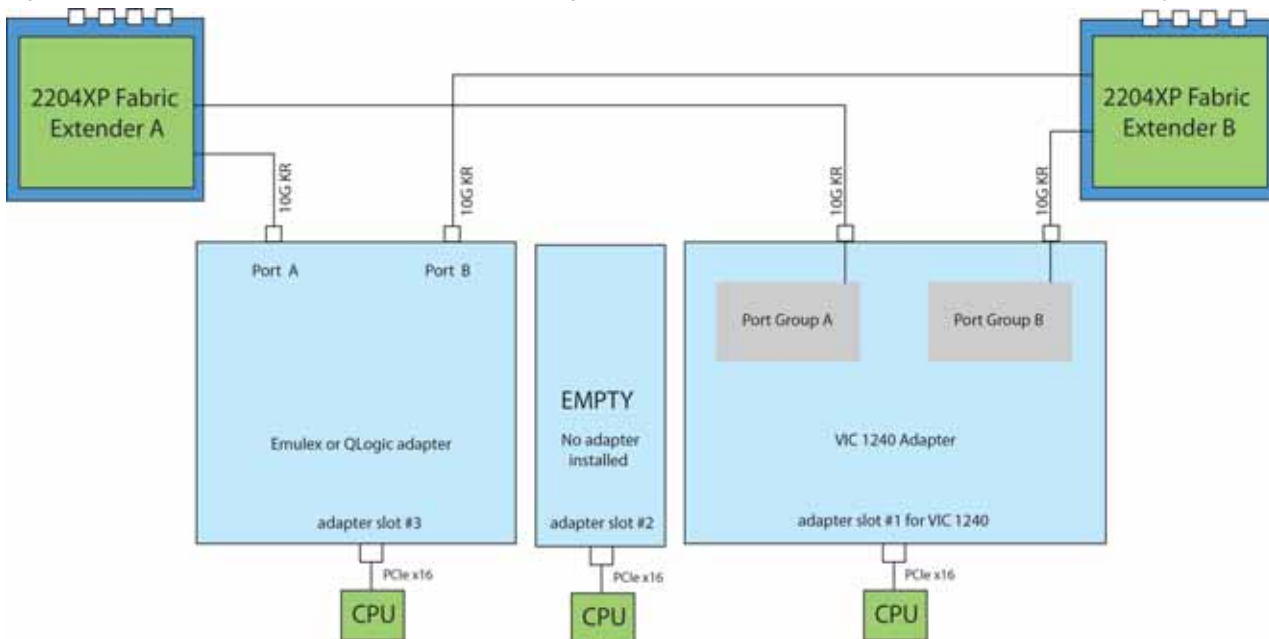
In *Figure 25*, two ports from the VIC 1280 are channeled to 2204XP Fabric Extender A and two are channeled to 2204XP Fabric Extender B. The VIC 1240 slot is empty and adapter slot 2 is empty. The result is 20 Gb of bandwidth to each Fabric Extender. This is not supported in 2-CPU configurations.

Figure 25 VIC 1280 in Adapter Slot 3 (VIC 1240 slot empty and adapter slot 2 empty)



In *Figure 26*, one port from the VIC 1240 is channeled to 2204XP Fabric Extender A and one is channeled to 2204XP Fabric Extender B. Adapter slot 2 is empty. The Emulex or QLogic adapter in adapter slot 3 also channels one port to each of the Fabric Extenders. The result is 20 Gb of bandwidth to each Fabric Extender.

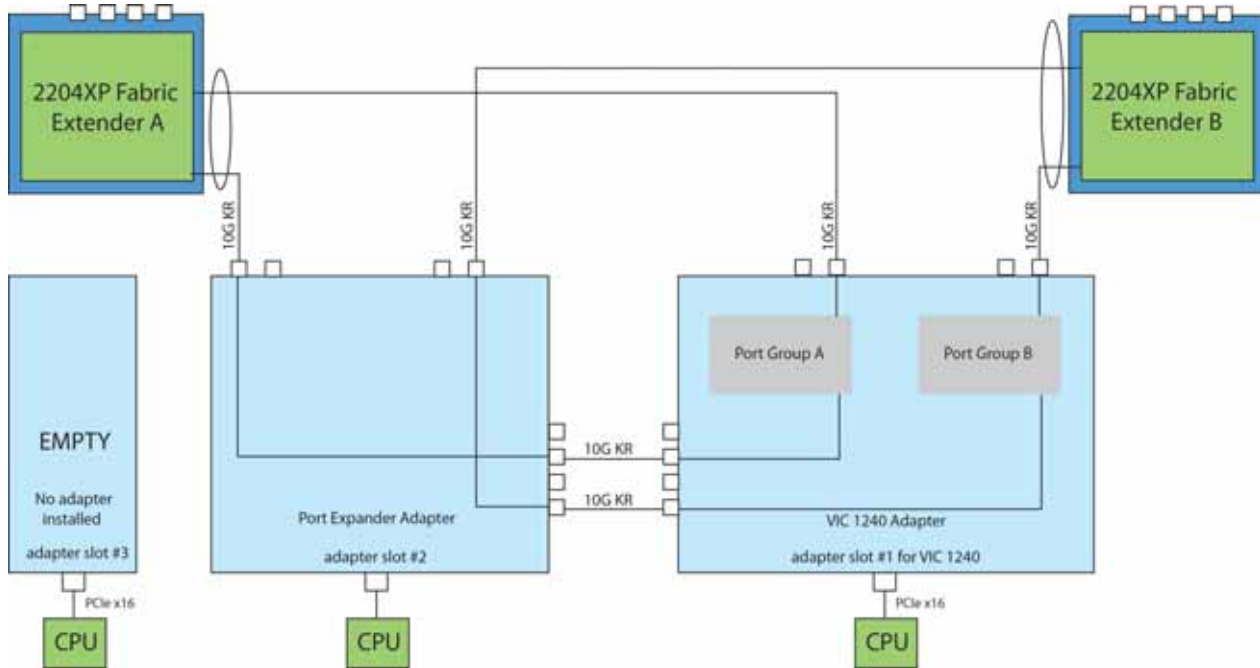
Figure 26 VIC 1240 and One Emulex or QLogic Adapter in Adapter Slot 3 (adapter slot 2 empty)





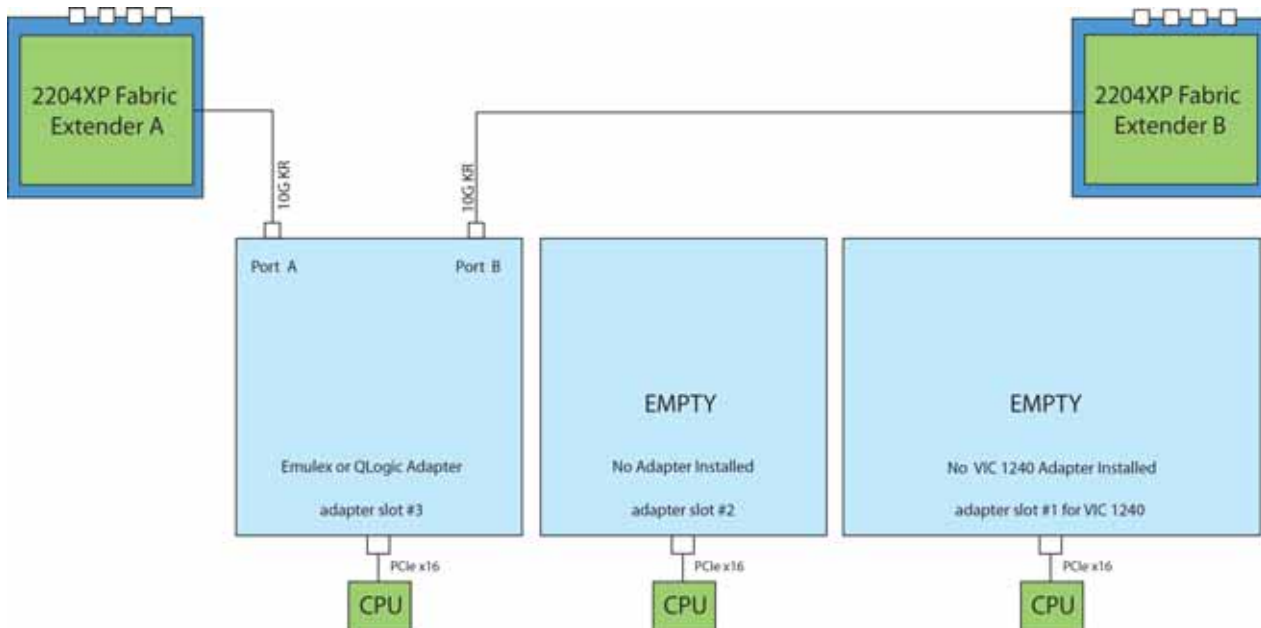
In *Figure 27*, one port from the VIC 1240 is channeled to 2204XP Fabric Extender A and one is channeled to 2204XP Fabric Extender B. The Port Expander Card installed in adapter slot 2 acts as a pass-through device, channeling one port to each of the Fabric Extenders. Adapter slot 3 is empty. The result is 20 Gb of bandwidth to each Fabric Extender.

Figure 27 VIC 1240 and Port Expander in Adapter Slot 2 (adapter slot 3 empty)



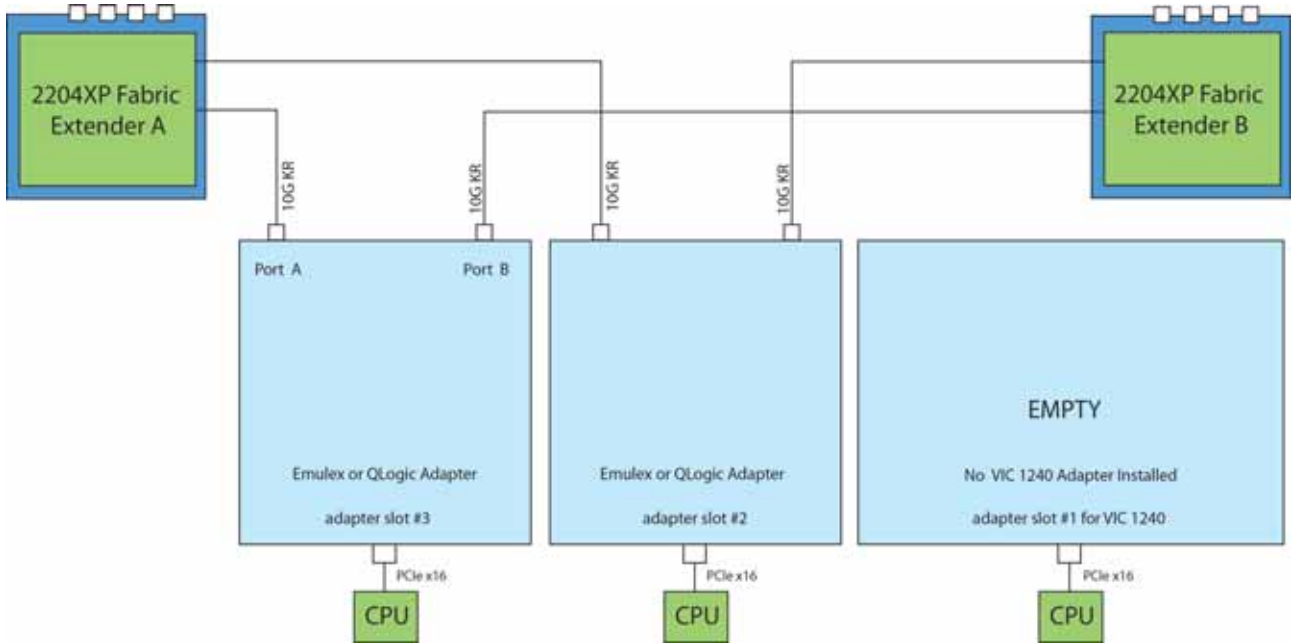
In *Figure 28*, there is no VIC 1240 and no adapter installed in slot 2. In this case, an Emulex or QLogic adapter is installed in adapter slot 3. Ports A and B of the adapter card connect to the Fabric Extenders, providing 10 Gb per port.

Figure 28 One Emulex or QLogic Adapter in Adapter Slot 3 (VIC 1240 and adapter slot 2 empty)



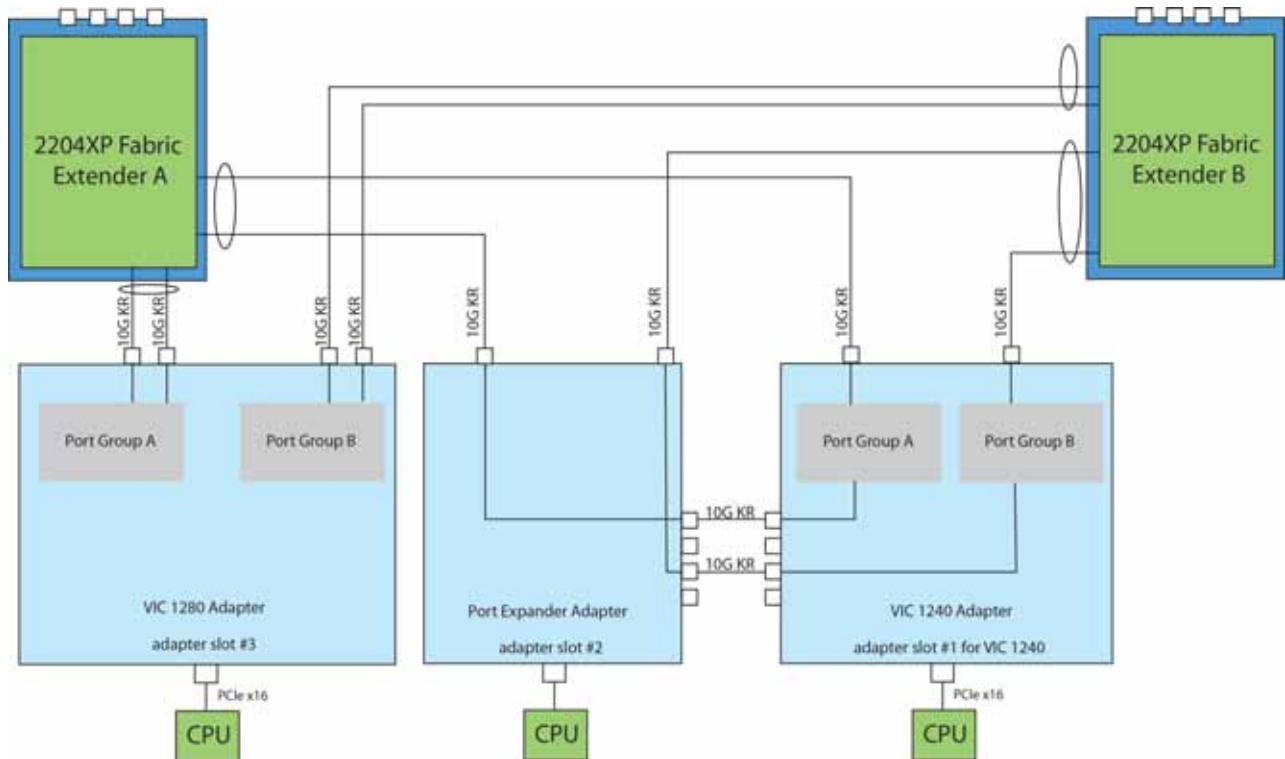
In *Figure 29*, there is no VIC 1240. Two Emulex or QLogic adapters are installed, one in each of the adapter slots. Ports A and B of each adapter card connect to the Fabric Extenders, providing 20 Gb to each Fabric Extender. This configuration is not supported for 2-CPU systems.

Figure 29 Two Emulex or QLogic Adapters (no VIC 1240)



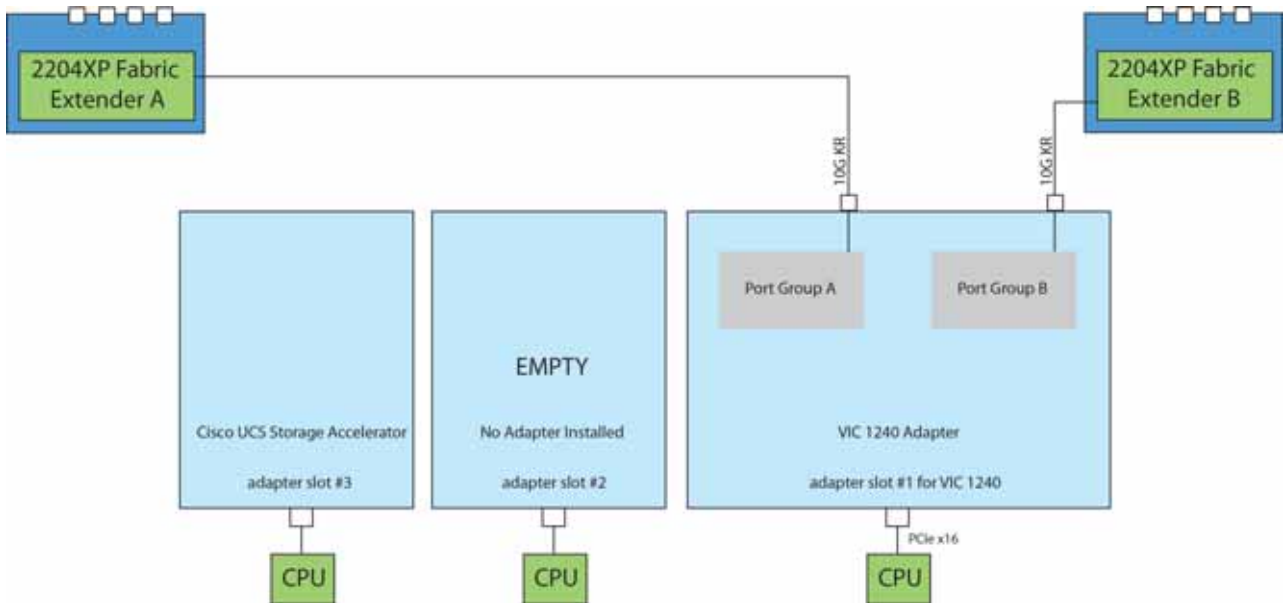
In *Figure 30*, one port from the VIC 1240 is channeled to 2204XP Fabric Extender A and one is channeled to 2204XP Fabric Extender B. The Port Expander Card installed in adapter slot 2 acts as a pass-through device, channeling one port to each of the Fabric Extenders. In addition, the VIC 1280 channels two ports to each Fabric Extender. The result is 40 Gb of bandwidth to each Fabric Extender.

Figure 30 VIC 1240, Port Expander and VIC 1280



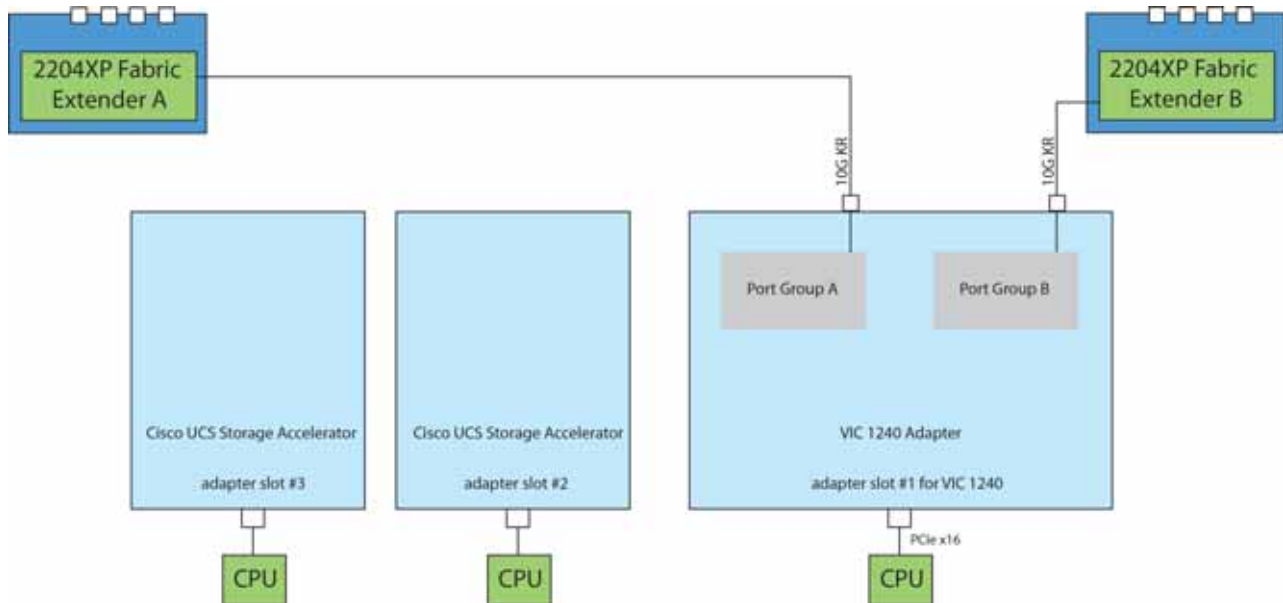
In *Figure 31*, one port from the VIC 1240 is channeled to 2204XP Fabric Extender A and one is channeled to 2204XP Fabric Extender B. The result is 10 Gb of bandwidth to each Fabric Extender. A Cisco UCS Storage Accelerator adapter is installed in slot 2, but provides no network connectivity.

Figure 31 VIC 1240 (Cisco UCS Storage Accelerator in slot 3, slot 2 empty)



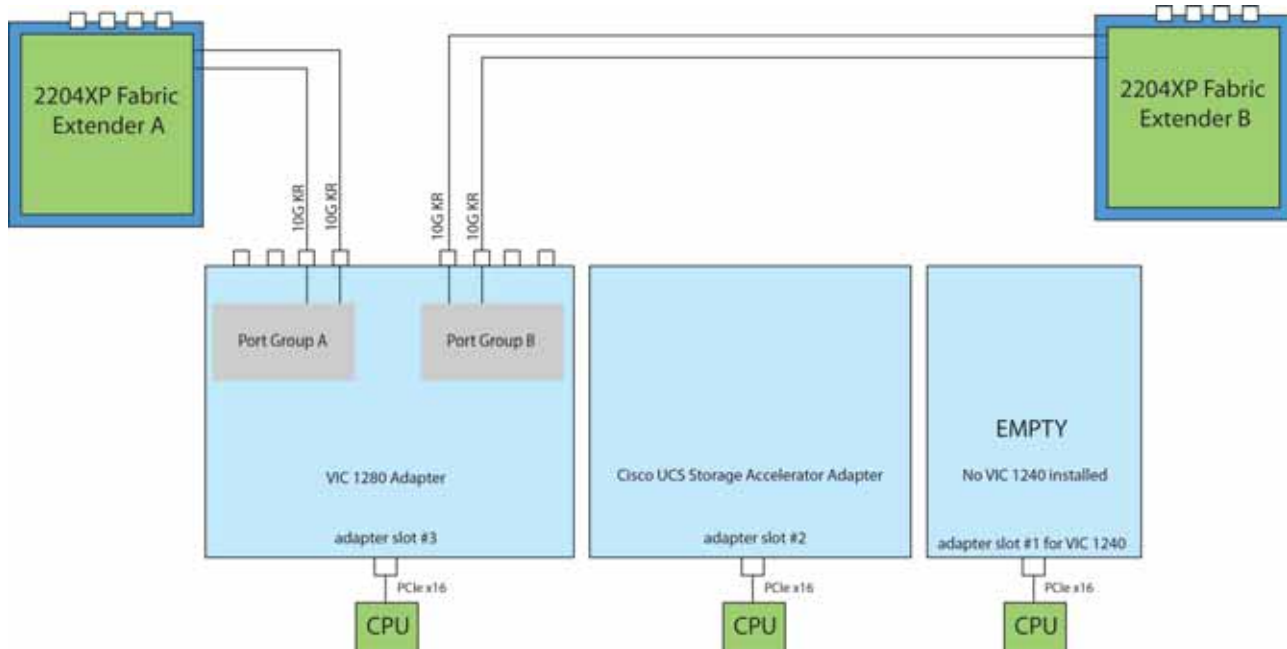
In *Figure 32*, one port from the VIC 1240 is channeled to 2204XP Fabric Extender A and one is channeled to 2204XP Fabric Extender B. The result is 10 Gb of bandwidth to each Fabric Extender. Two *identical* Cisco UCS Storage Accelerator adapters are installed in slots 2 and 3, but provide no network connectivity. This configuration is not supported for 2-CPU systems.

Figure 32 VIC 1240 (Cisco UCS Storage Accelerator in slots 2 and 3)



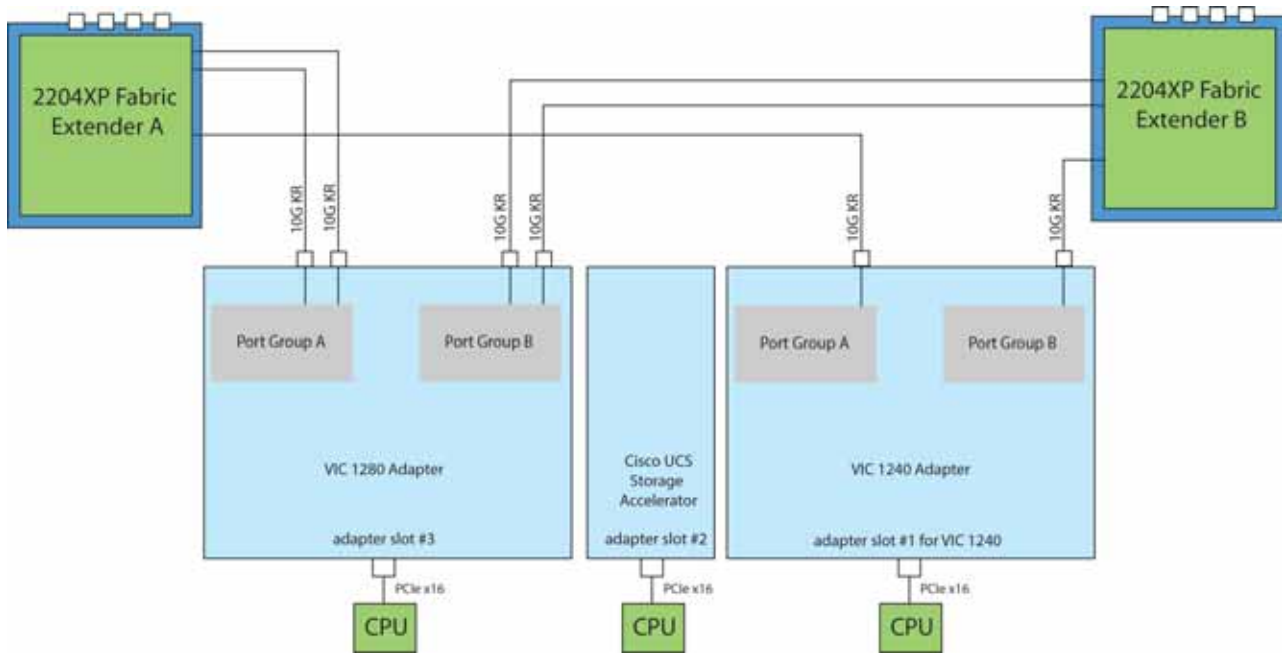
In *Figure 33*, two ports from the VIC 1280 are channeled to 2204XP Fabric Extender A and two are channeled to 2204XP Fabric Extender B. The VIC 1240 slot is empty and adapter slot 2 contains a Cisco UCS Storage Accelerator (which has no network connectivity). The result is 20 Gb of bandwidth to each Fabric Extender. This configuration is not supported for 2-CPU systems.

Figure 33 VIC 1280 in Adapter Slot 3 (VIC 1240 and Cisco UCS Storage Accelerator)



In *Figure 34*, one port from the VIC 1240 is channeled to 2204XP Fabric Extender A and one is channeled to 2204XP Fabric Extender B. The VIC 1280 installed in adapter slot 3 channels two ports to each of the Fabric Extenders. Adapter slot 2 contains a Cisco UCS Storage Accelerator (which has no network connectivity). This configuration is not supported for 2-CPU systems. The result is 30 Gb of bandwidth to each Fabric Extender.

Figure 34 VIC 1240, VIC 1280, and Cisco UCS Storage Accelerator



## Connectivity using the Cisco UCS 2104XP Fabric Extender

The connectivity options shown in [Figure 35](#) through [Figure 41](#) are shown in [Table 33](#).

Table 33 Supported Adapter<sup>1</sup> Combinations Using the 2104XP<sup>2</sup>

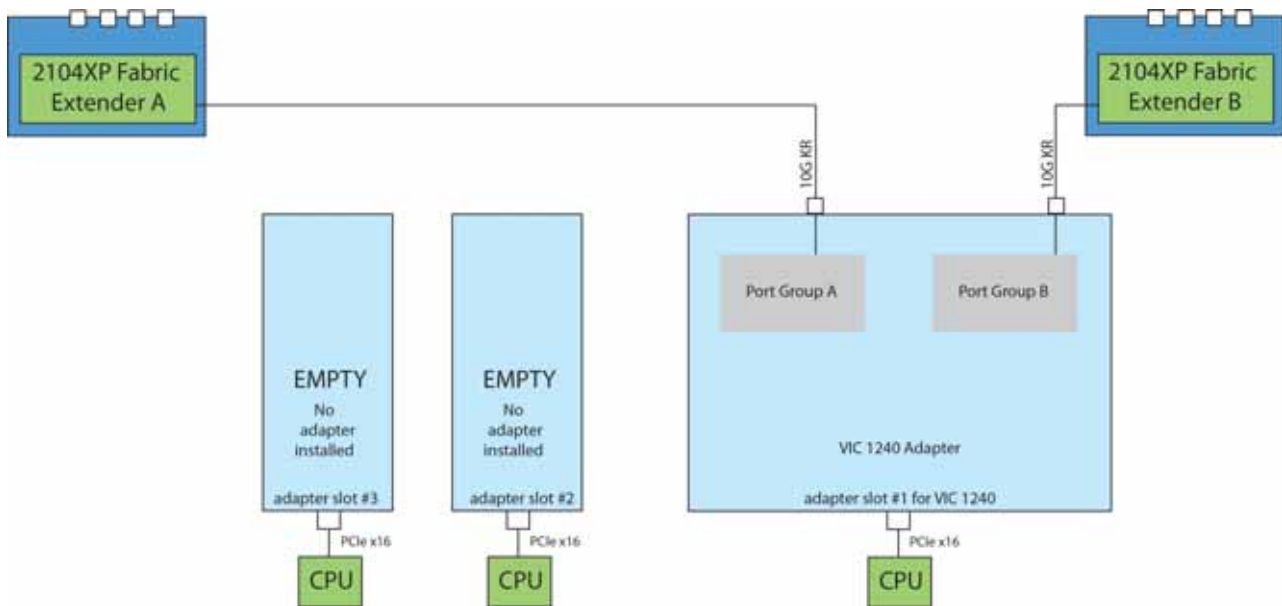
Adapter Slot 1	Adapter Slot 2	Adapter Slot 3	Total Available Bandwidth
			2 x 2104 XP
VIC 1240	Not populated	Not populated	20 Gb <a href="#">Figure 35 on page 64</a>
VIC 1240	Not populated	VIC 1280	40 Gb <a href="#">Figure 36 on page 64</a>
Not populated	Not populated	VIC 1280	20 Gb <a href="#">Figure 37 on page 65</a>
VIC 1240	Not populated	Emulex or QLogic CNA	40 Gb <a href="#">Figure 38 on page 65</a>
VIC 1240	Port Expander Card	Not populated	Network I/O not supported <sup>3</sup>
Not populated	Not populated	Emulex or QLogic CNA	20 Gb <a href="#">Figure 39 on page 66</a>
VIC 1240	Not populated	Cisco UCS Storage Accelerator	20 Gb <a href="#">Figure 40 on page 66</a>
VIC 1240	Cisco UCS Storage Accelerator <sup>4</sup>	Cisco UCS Storage Accelerator <sup>4</sup>	20 Gb <a href="#">Figure 41 on page 67</a>
Not populated	Cisco UCS Storage Accelerator	VIC 1280	20 Gb <a href="#">Figure 42 on page 67</a>
VIC 1240	Port Expander Card	VIC 1280	Network I/O not supported <sup>3</sup>
VIC 1240	Cisco UCS Storage Accelerator	VIC 1280	40 Gb <a href="#">Figure 43 on page 68</a>

### Notes

1. In the server BIOS and on the motherboard, “Adapter 1,” “Adapter 2,” and “Adapter 3” are labeled as “mLOM,” “Mezz 1,” and “Mezz 2,” respectively
2. Not all combinations are supported in 2-CPU configurations (see [Table 11 on page 19](#))
3. The 2104XP fabric extender is not compatible with any network I/O card installed in adapter slot 2.
4. This combination requires that both Storage Accelerators be identical.

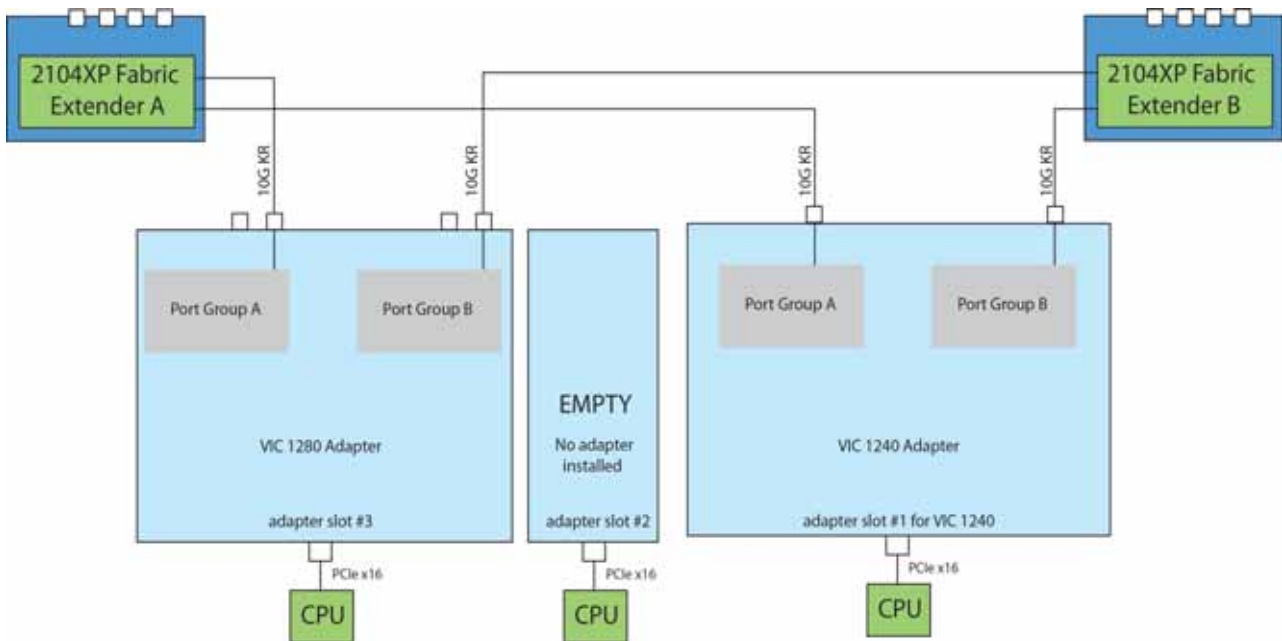
In *Figure 35*, one port from the VIC 1240 is channeled to 2104XP Fabric Extender A and one is channeled to 2104XP Fabric Extender B. The result is 10 Gb of bandwidth to each Fabric Extender.

Figure 35 VIC 1240 (adapter slots 2 and 3 empty)



In *Figure 36*, one port from the VIC 1240 is channeled to 2104XP Fabric Extender A and one is channeled to 2104XP Fabric Extender B. The VIC 1280 installed in adapter slot 3 channels one port to each of the Fabric Extenders. The result is 20 Gb of bandwidth to each Fabric Extender.

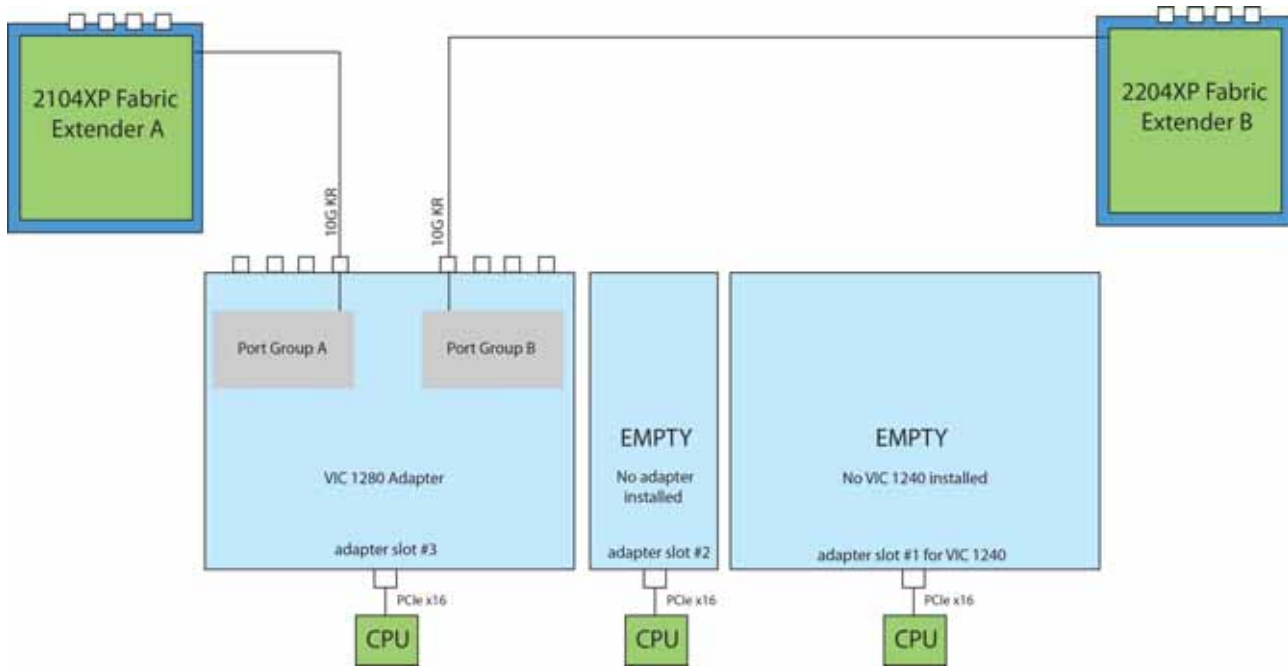
Figure 36 VIC 1240 and VIC 1280 (adapter slot 2 empty)





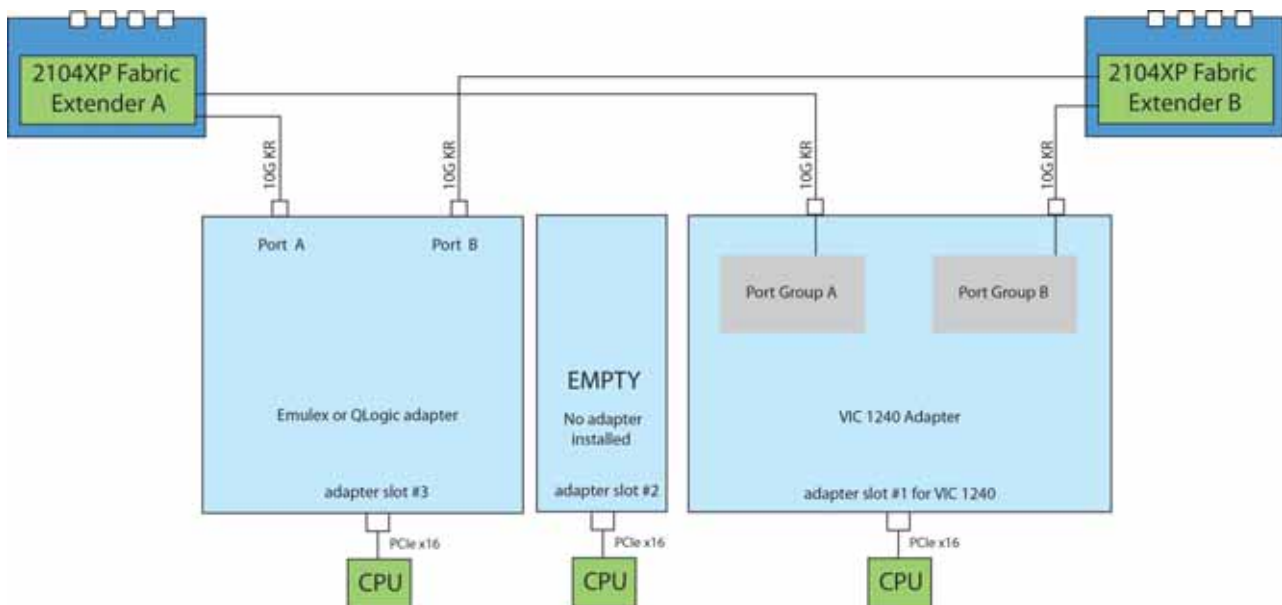
In *Figure 37*, one port from the VIC 1280 is channeled to 2208XP Fabric Extender A and one is channeled to 2208XP Fabric Extender B. The VIC 1240 slot is empty and adapter slot 2 is empty. The result is 10 Gb of bandwidth to each Fabric Extender. This is not supported for 2-CPU configurations.

Figure 37 VIC 1280 (VIC 1240 and adapter slot 2 are empty)



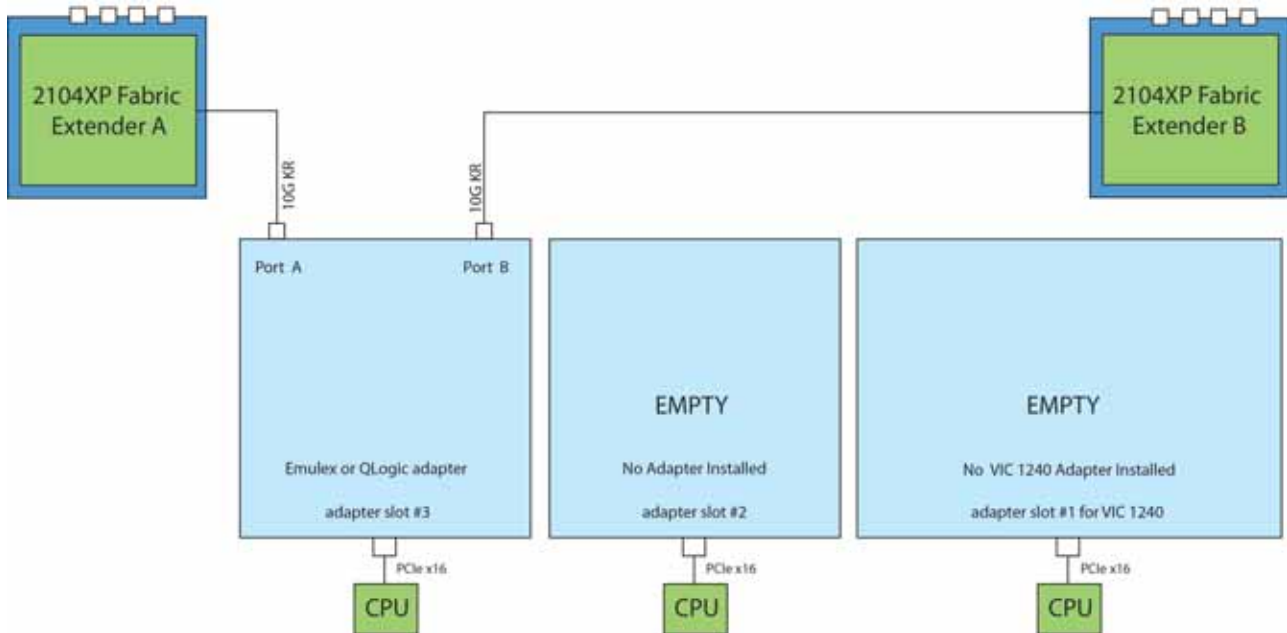
In *Figure 38*, one port from the VIC 1240 is channeled to 2104XP Fabric Extender A and one is channeled to 2104XP Fabric Extender B. The Emulex or QLogic adapter in adapter slot 3 also channels one port to each of the Fabric Extenders. The result is 20 Gb of bandwidth to each Fabric Extender.

Figure 38 VIC 1240 and Emulex or QLogic Adapter in Adapter Slot 3 (adapter slot 2 empty)



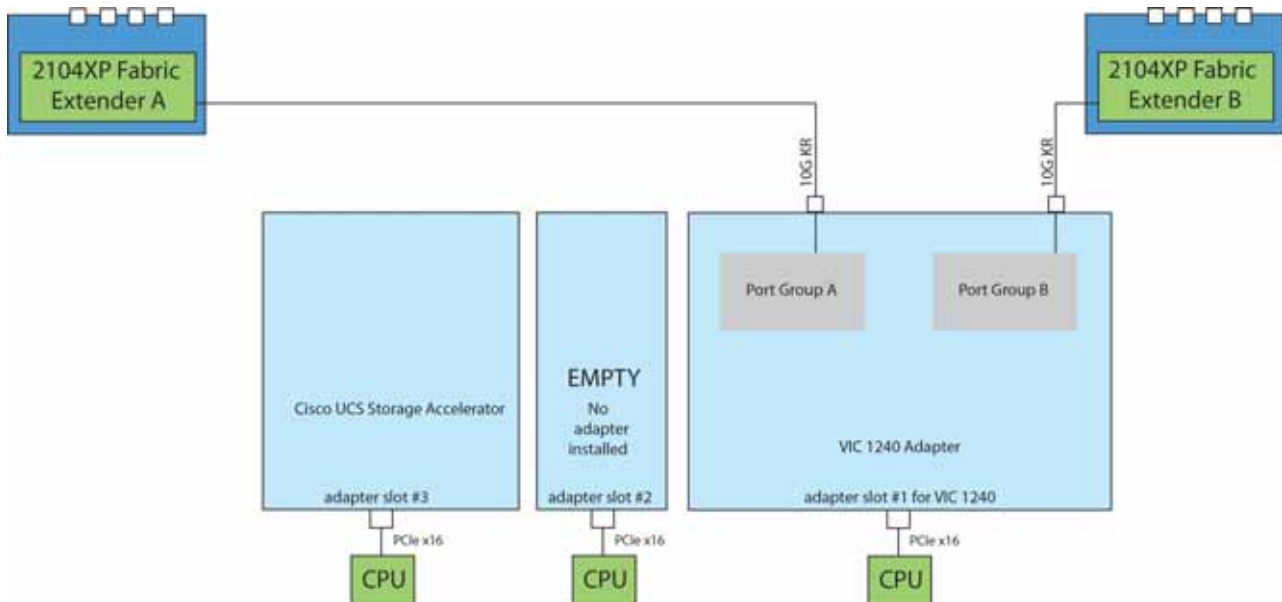
In *Figure 39*, there is no VIC 1240. In this case, an Emulex or QLogic adapter is installed in adapter slot 3. Ports A and B of the adapter card connect to the Fabric Extenders, providing 10 Gb per port.

Figure 39 One Emulex or QLogic Adapter (VIC 1240 slot and adapter slot 2 are empty)



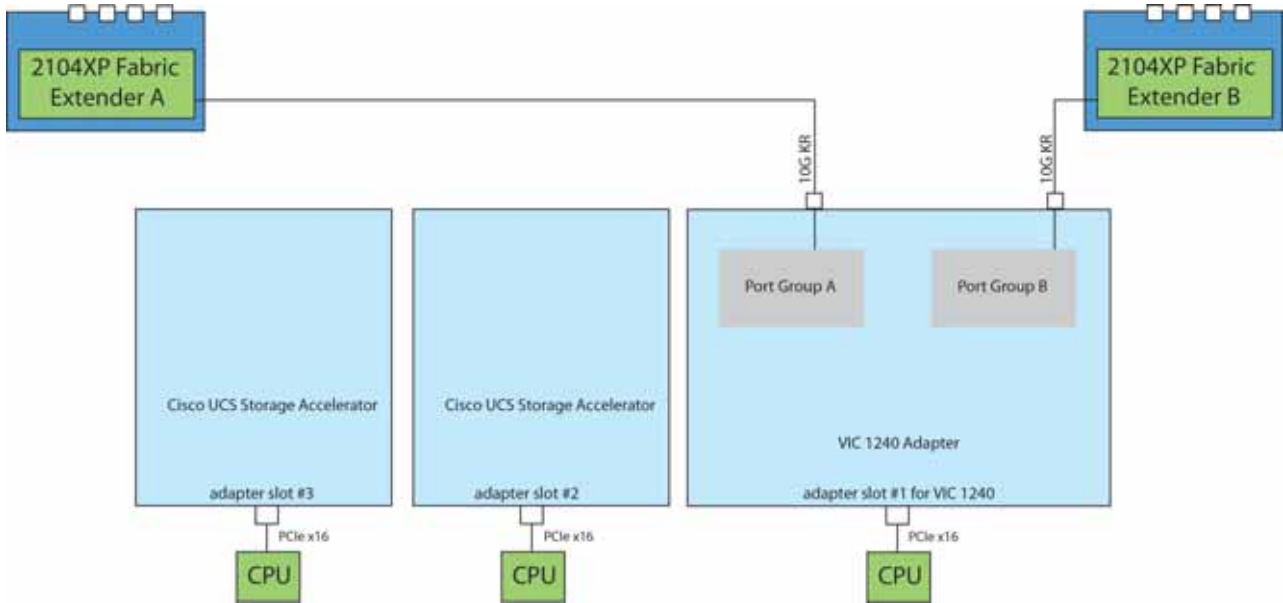
In *Figure 40*, one port from the VIC 1240 is channeled to 2104XP Fabric Extender A and one is channeled to 2104XP Fabric Extender B. The result is 10 Gb of bandwidth to each Fabric Extender. A Cisco UCS Storage Accelerator (which provides no network connectivity) is installed in slot 2.

Figure 40 VIC 1240 (Storage Accelerator in adapter slot 3 and adapter slot 2 empty)



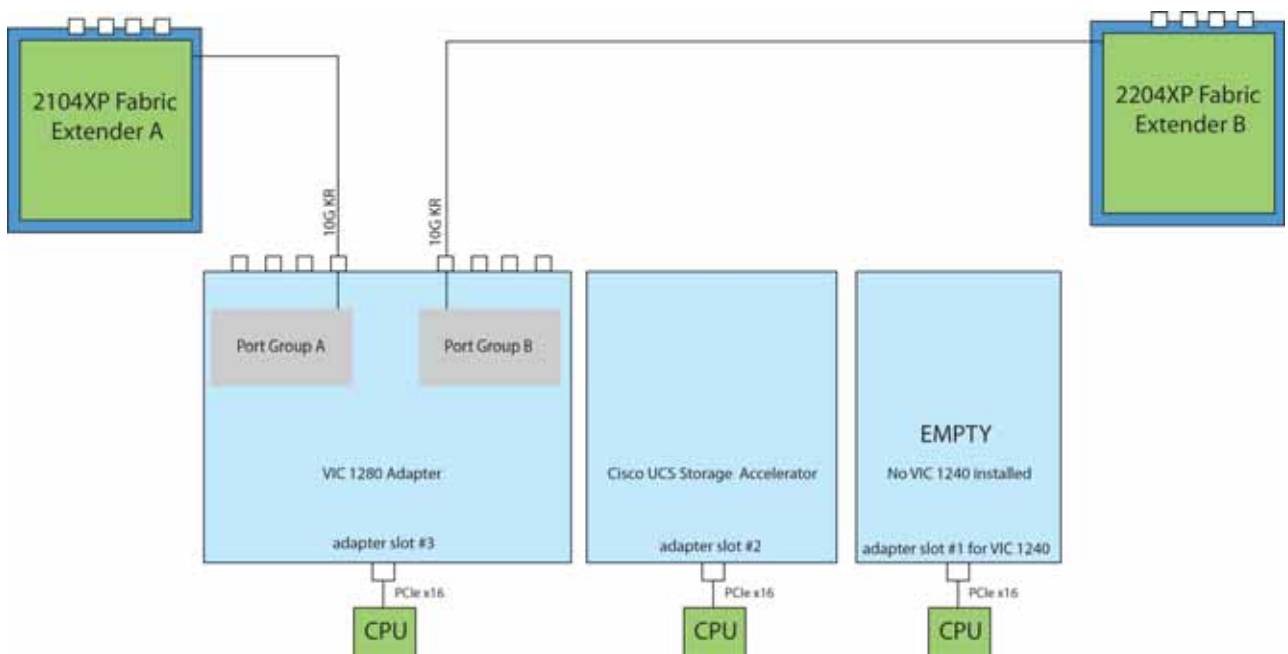
In *Figure 41*, one port from the VIC 1240 is channeled to 2104XP Fabric Extender A and one is channeled to 2104XP Fabric Extender B. The result is 10 Gb of bandwidth to each Fabric Extender. Cisco UCS Storage Accelerators (which provide no network connectivity) are installed in slots 2 and 3. This configuration is not supported for 2-CPU systems.

Figure 41 VIC 1240 (Storage Accelerators in adapter slots 2 and 3)



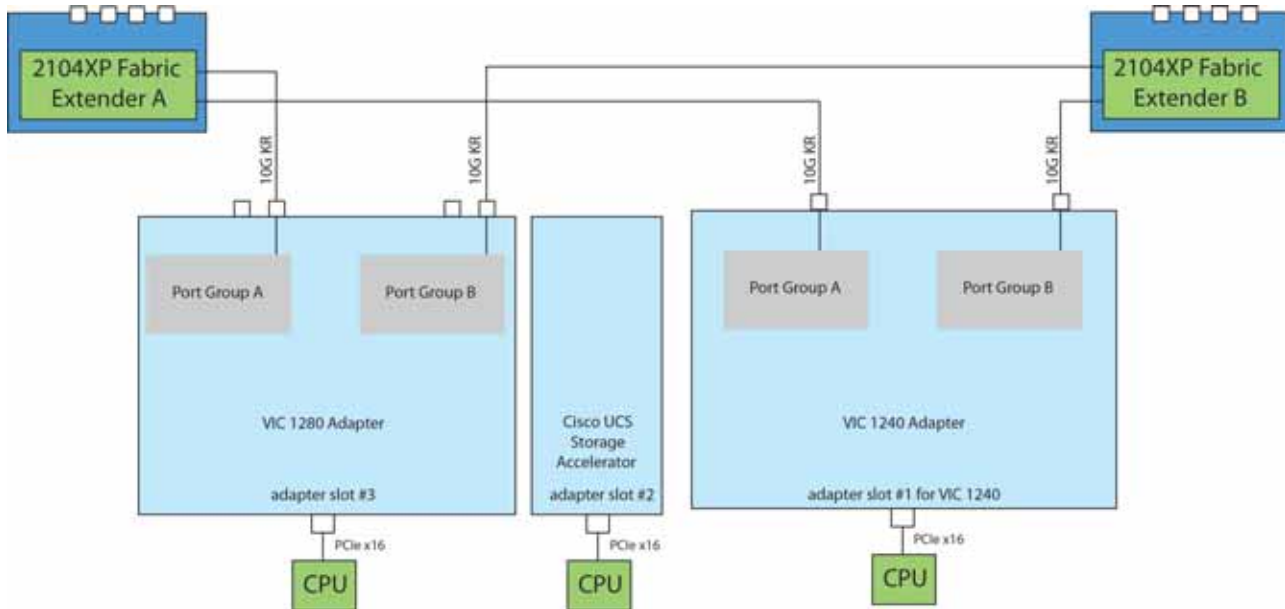
In *Figure 42*, one port from the VIC 1280 is channeled to 2208XP Fabric Extender A and one is channeled to 2208XP Fabric Extender B. The VIC 1240 slot is empty and adapter slot 2 contains a Cisco UCS Storage Accelerator (which has no network connectivity). The result is 10 Gb of bandwidth to each Fabric Extender. This configuration is not supported for 2-CPU systems.

Figure 42 VIC 1280 (VIC 1240 slot empty and Cisco UCS Storage Accelerator in adapter slot 2)



In *Figure 43*, one port from the VIC 1240 is channeled to 2104XP Fabric Extender A and one is channeled to 2104XP Fabric Extender B. The VIC 1280 installed in adapter slot 3 channels one port to each of the Fabric Extenders. Adapter slot 2 contains a Cisco UCS Storage Accelerator (which has no network connectivity). This configuration is not supported for 2-CPU systems. The result is 20 Gb of bandwidth to each Fabric Extender.

Figure 43 VIC 1240, VIC 1280, and Cisco UCS Storage Accelerator



# TECHNICAL SPECIFICATIONS

## Dimensions and Weight

Table 34 UCS B420 M3 Dimensions and Weight

Parameter	Value
Height	1.95 in. (50 mm)
Width	16.5 in.(419 mm)
Depth	24.4 in. (620 mm)
Weight	<ul style="list-style-type: none"> <li>■ Base server weight (no CPUs, no memory, no adapter cards, no USB, 3 baffles, no SD cards, no HDDs, 4 HDD fillers, no SuperCap, no TFM) = 20.7 lbs (9.4 kg)</li> <li>■ Minimally configured server (2 CPUs, 2 DIMMs, MLOM, no adapter cards, with USB, 3 baffles, with 1 SD card, 1 HDD, HDD fillers, no SuperCap, no TFM) = 24.3 lbs (11.0 kg)</li> <li>■ Fully configured server (4 CPUs, 48 DIMMs, MLOM, 2 adapter cards, with USB, 3 baffles, with 2 SD cards, 4 HDDs, with SuperCap, with TFM) = 34.3 lbs (15.56 kg)</li> </ul>

## Power Specifications

For configuration-specific power specifications, use the Cisco UCS Power Calculator at:

<http://ucspowercalc.cisco.com>



---

**Americas Headquarters**  
Cisco Systems, Inc.  
San Jose, CA

**Asia Pacific Headquarters**  
Cisco Systems (USA) Pte. Ltd.  
Singapore

**Europe Headquarters**  
Cisco Systems International BV Amsterdam,  
The Netherlands

Cisco has more than 200 offices worldwide. Addresses, phone numbers, and fax numbers are listed on the Cisco Website at [www.cisco.com/go/offices](http://www.cisco.com/go/offices).

---

Cisco and the Cisco Logo are trademarks of Cisco Systems, Inc. and/or its affiliates in the U.S. and other countries. A listing of Cisco's trademarks can be found at [www.cisco.com/go/trademarks](http://www.cisco.com/go/trademarks). Third party trademarks mentioned are the property of their respective owners. The use of the word partner does not imply a partnership relationship between Cisco and any other company. (1005R)